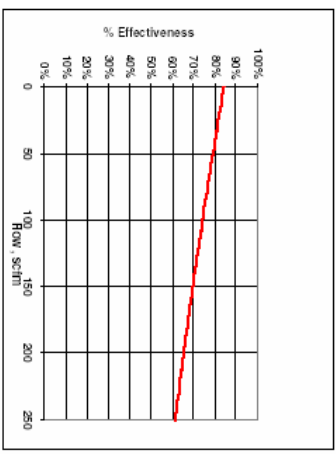
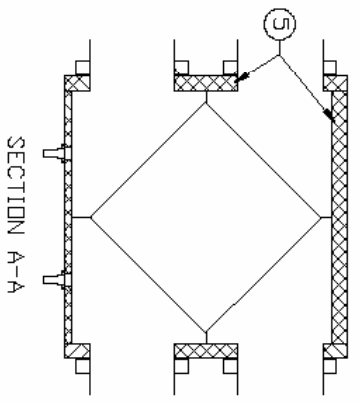
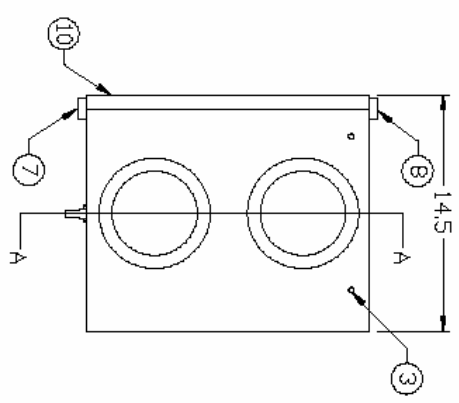
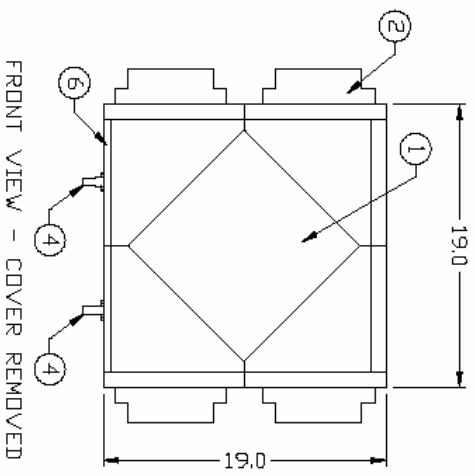


- CONSTRUCTION NOTES:
- 1 - HEAT EXCHANGER 11X11X12.5" ALUMINUM OR POLY
 - 2 - COLLAR FOR 6" INSULATED FLEX DUCT
 - 3 - THREADED INSERT (4) FOR HANGER STRAPS
 - 4 - DRAIN SPOUT (2) FOR 1/2" TUBE
 - 5 - TYPE 1 EXPANDED POLYSTYRENE
 - 6 - DRAIN TRAY - ALUMINUM
 - 7 - LATCH (2)
 - 8 - LIFT OFF HINGE (2)
 - 9 - ACCESSORY KIT (NOT SHOWN) INCLUDES STRAPS, DRAIN PLUGS, NUTS, WASHERS, HOSE, BALANCING DAMPERS
 - 10 - BRAND NAME DECAL
- CABINET CONSTRUCTED OF PREPAINTED (WHITE) ALUMINUM 0.032"



PERFORMANCE SPECIFICATIONS:
 HEAT RECOVERY EFFICIENCY @ 55 L/S:
 POLY 72 %
 HEAT EXCHANGE AREA 61 sqft
 ALLOWABLE AIR FLOW: 95 L/S (200 CFM)

THIRD ANGLE PROJECTION 		PROPRIETARY AND CONFIDENTIAL THE INFORMATION CONTAINED IN THIS DRAWING IS THE SOLE PROPERTY OF NU-AIR VENTILATION SYSTEMS. ANY REPRODUCTION IN PART OR AS A WHOLE WITHOUT THE WRITTEN PERMISSION OF NU-AIR IS PROHIBITED.	
DIMENSIONS ARE IN INCHES TOLERANCES: FRACTIONAL ± ANGULAR PER INCH ± TWO PLACE DECIMAL ± THREE PLACE DECIMAL ±	UNLESS OTHERWISE SPECIFIED, INTERPRET GEOMETRIC TOLERANCING PER MATERIAL	DRAWN: JWF CHECKED: BKG ENG APPR: [] MFG APPR: [] QA: []	DATE: 11/20/07 NAME: JWF TITLE:
MATERIAL: NU20 & NU20-MD FINISH: USED IN APPLICATION:	DO NOT SCALE DRAWING	NU-AIR VENTILATION 36 NELSON STREET WINDSOR, NOVA SCOTIA CANADA, B0N 2T0 TEL: (902) 799 2564 FAX: (902) 799 2557	
SIZE: DWG. NO. 10518 SCALE: 1:1	REV: 1	APPROVED FOR DISTRIBUTION: [] DATE: 11/22/07	DRAWN: JWF

NU20 & NU20-MD
 PASSIVE HRV

SHEET 1 OF 1