

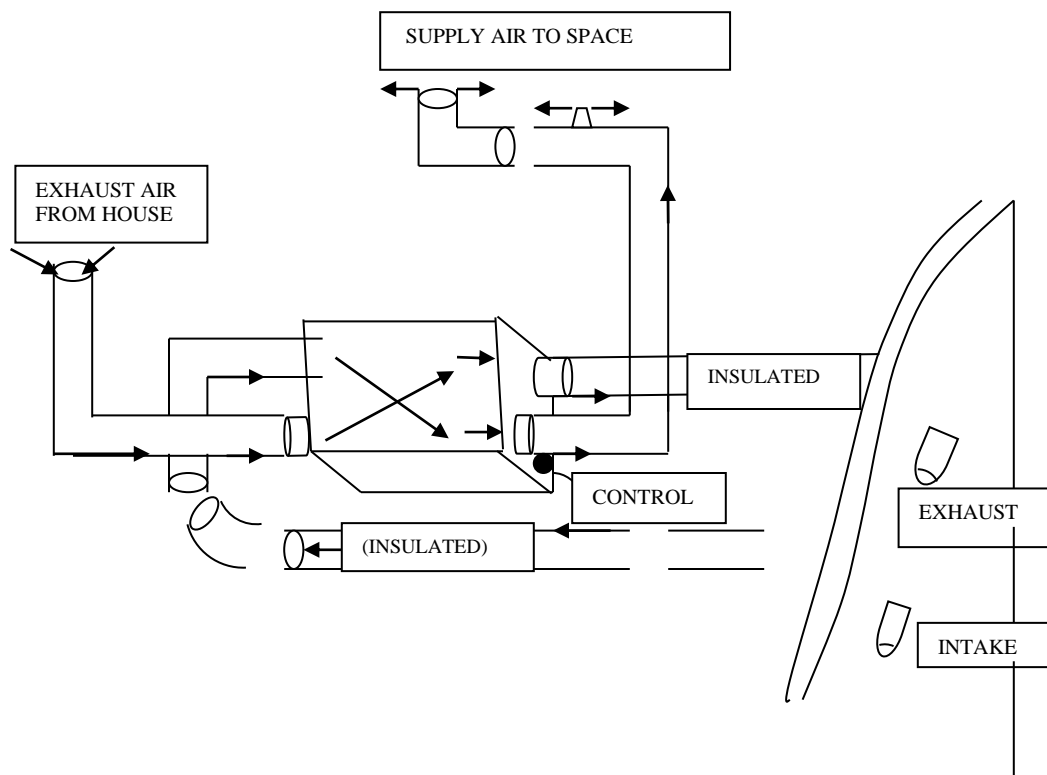


NU125 AIR EXCHANGER OPERATING AND INSTALLATION MANUAL

Installation Instructions and Spec Sheet
Installation Diagram

FEATURES

- Can be mounted in the attic, basement, or any crawl space
- Easy installation
- Built in speed control for variable, continuous ventilation
- Optional built in or remote dehumidistat
- Polyester Filter
- 3 year warranty on all components
- Single point electrical connection to standard receptacle
- Power consumption: Low Speed - 50 watts
High Speed - 90 watts
- Dimensions: Height 10", Width 10", Length 16", Collars 5" diameter



1. Attach the anti-vibration straps supplied to the unit and screw directly to either the floor joists or other as conditions permit.
2. Plug in to a 115/120 volt receptacle.
3. Connect the air exchanger to the duct system at the collars.

Note: Where remote dehumidistat is employed, run 2-conductor wire and connect to spring terminals on side of unit.



Recommendations for a successful installation.

A. LOCATION

- Choose a site which will minimize the use of insulated and non-insulated flex
- Leave clearance around the unit for maintenance
- Locate near a power supply.
- Avoid locating in, above or below quiet rooms (bedroom, living room)
- Hoods should be 18" above grade and away from vehicle exhaust
- A minimum separation of 6" between hoods is needed.

B. LOCATING THE SUPPLY HOOD

Outside air intake should be at least six (6) feet from the exhaust hood, furnace vent, oil tank vents, gas barbecue or other potential sources of contamination.

C. INSTALLATION IN ATTIC OR COLD SPACE

Special considerations are needed when the air exchanger is located in an attic.

- All ducts in unheated areas shall be insulated.
- All connections through ceilings must be sealed with vapour barrier.
- Ducting should be installed before attic insulation such that the insulation covers the duct and unit as local code requires.
- An access door must be available for servicing the air exchanger.

D. GRILL LOCATION

It is suggested, for maximum effectiveness that all rooms be vented, however, there must be at least one (1) supply and one (1) exhaust duct per installation. Supply and exhaust grills should be separated as much as possible.

E. OPERATING THE AIR EXCHANGER

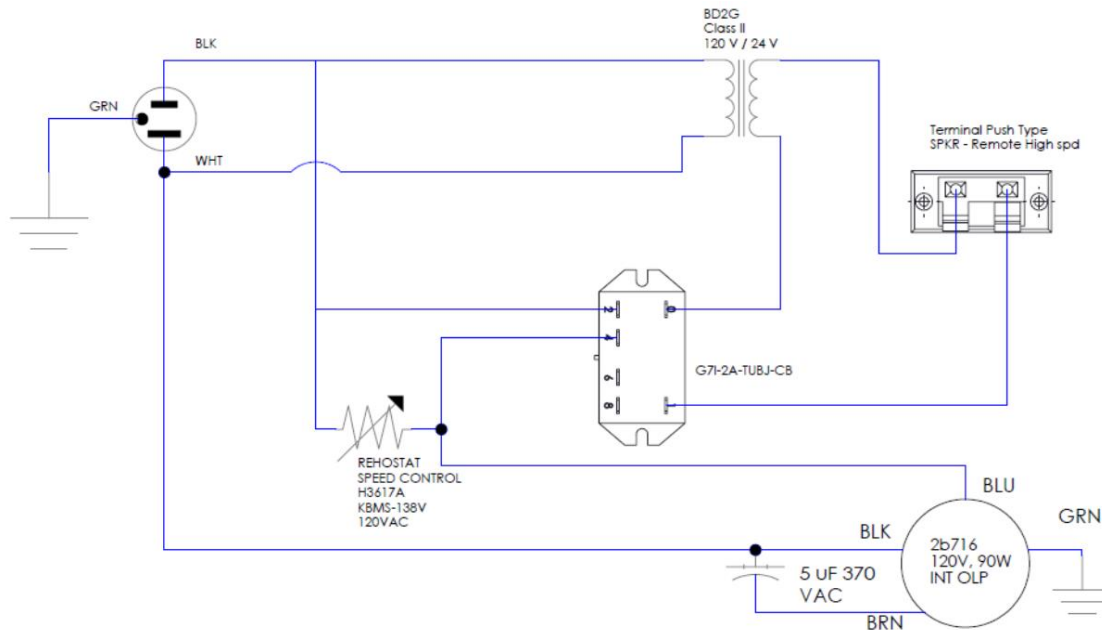
- Set the dehumidistat at the desired level. Look for signs of excess humidity or dryness. Let your windows be your guide for signs of excess humidity. Condensation on windows suggests a lower dehumidistat setting. Static electricity in the air may indicate a higher setting be used. As outdoor temperatures decrease you may want to decrease the dehumidistat setting. Most homes and people are comfortable between 40%-60% RH.
- The machine uses a variable speed control. A full clockwise rotation is low speed and the recommended normal operating point.

F. MAINTENANCE

The motor is permanently sealed and lubricated. No routine maintenance is needed.
The filter should be vacuumed every three months and replaced as needed (usually once a year).

NOTE: All other service should be done by a qualified technician.

Wiring Diagram



YOUR *NU-AIR* AIR EXCHANGER MODEL *NU125* TRANSFERABLE WARRANTY

Should your *NU-AIR* Air Exchanger cease to function within three (3) years of date of original purchase due to defective material or workmanship of the product, *NU-AIR* Ventilation Systems Inc. will supply **FOB** factory to replace the defective part. Delivery, installation and labour cost would be your responsibility.

The above warranty does not cover damage to the unit while in your possession (other than damage by defective parts or material). Improper maintenance also voids the warranty. If the unit is put to commercial use or application other than residential use, the warranty is for a period of one (1) year.

nu-air

P.O. Box 2758
Windsor, Nova Scotia B0N 2T0 Canada
Tel: (902) 798 2261
Fax: (902) 798 2557
E-mail: nuair@nu-airventilation.com
Website: www.nu-airventilation.com