

## Model: ES100

### VENTILATION PERFORMANCE

### ENERGY PERFORMANCE

EXT. STATIC PRESSURE	NET SUPPLY AIR FLOW	GROSS AIR FLOW		SUPPLY TEMP.	NET AIR FLOW	POWER CONSUMED	SENSIBLE RECOVERY EFFICIENCY	APPARENT SENSIBLE EFFECTIVENESS
in wg (Pa)	cfm (l/s)	cfm (l/s)	EXHAUST cfm (l/s)	°F (°C)	cfm (l/s)	Watts		
0.1 (25)	127 (60)	131 (62)	167 (79)	+32 (0)	64 (30)	52	66%	71%
0.2 (50)	117 (55)	121 (57)	155 (73)	+32 (0)	96 (45)	84	60%	66%
0.3 (75)	104 (49)	108 (51)	140 (66)	+32 (0)	116 (55)	102	57%	63%
0.4 (100)	93 (44)	95 (45)	127 (60)	+13(-25)	64 (30)	74	58%	62%
0.5 (125)	81 (38)	83 (39)	112 (53)					
0.6 (150)	68 (32)	70 (33)	100 (47)					
0.7 (175)	51 (24)	53 (25)	85 (40)					
0.8 (200)	34 (16)	36 (17)	70 (33)					



**CABINET/CORE:** Collar size: 5-inch (127 mm). The case is constructed of 0.032 painted aluminum with a white enamel finish. The cabinet is fully insulated with 1-inch polystyrene. The unit is equipped with a polypropylene cross-flow heat exchange core. Shipping weight: 34 lbs (15 kg).

**ELECTRICAL:** 120V/1/60 Hz. 113W, 1 A

**BLOWERS:** Two backward curve impellers using PSC motors and permanently sealed bearings.

**CERTIFICATION:** cCSAus, CSA C22.2, ASHRAE 62.2, HVI

**REVERSIBLE:** internal components can be accessed **front or back**

### ADDITIONAL FEATURES:

- Furnace interlock options: commands furnace blower when HRV is on or only on high speed
- Intelligent Defrost: duration and interval adjust to outdoor conditions below -5° C (23° F)
- **In defrost and recirculation modes, this unit will not induce indoor negative pressure nor recycle exhaust air; rather, it will redistribute ambient room air.**
- Balancing: differential pressure ports on door allow air measurements without flow grid in ductwork. Independent speed adjustment of either supply or exhaust motor in BOTH high and low speed.
- 24 V circuit protection with self resetting fuse
- Drain, hanger kit, polyester air filters included
- 12 VDC or 24 VAC remote control options with the following Nu-Air controls:

ES Series (12 VDC): Unlimited numbers. Series or parallel.	WINDSOR Series (24 VAC)
<b>ES-M1:</b> Off/ Stby/ Lo/ Hi <b>ES-M2:</b> Off/ Stby/ Lo/ 20 Lo—40 Stby <b>ES-M3:</b> Off/ Stby/ Lo/ 20 Lo—40 Recirculation <b>ES-M4:</b> Off/ Stby/ Lo/ Recirculation (Lo) <b>ES-T1:</b> 20-40-60-minute timer <b>Lumina (NAV-561):</b> Low speed, high speed, intermittent, recirculation, 20/40 standby, 20/40 recirculation, 20-40-60 minute timer, filter service alert (clock)	<b>DSTAT-1:</b> Humidity control <b>Win-1:</b> Humidity control/ OFF/ STBY/ Continuous/ Intermittent/ Full-time high speed <b>*WIN-20:</b> 20-minute timer (up to 6) <b>*WIN-20 Gang: for multi-switch wall boxes</b> <b>Also: Any 24 VAC, two-wire switch.</b> *Compatible with Nu-Air 12 VDC control options

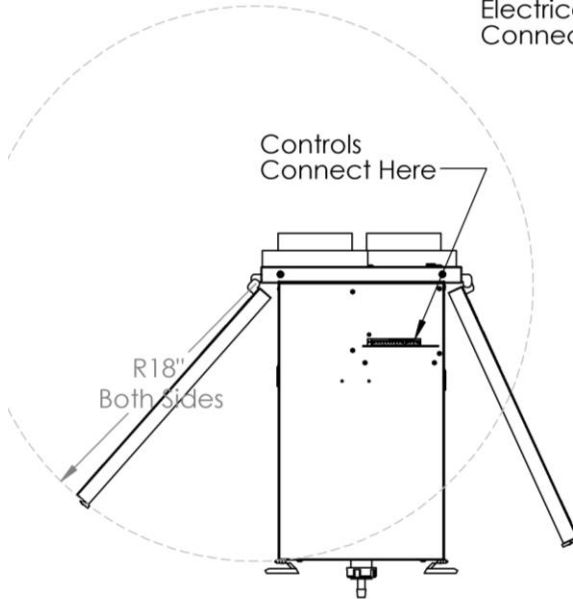
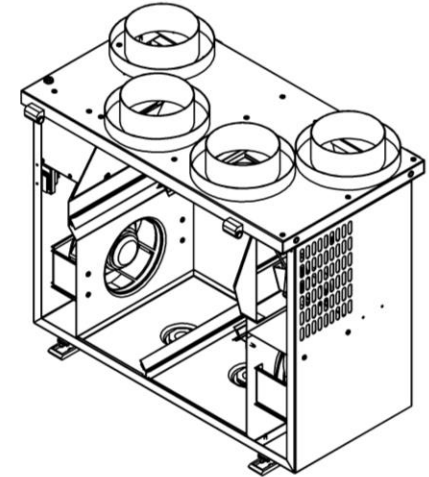
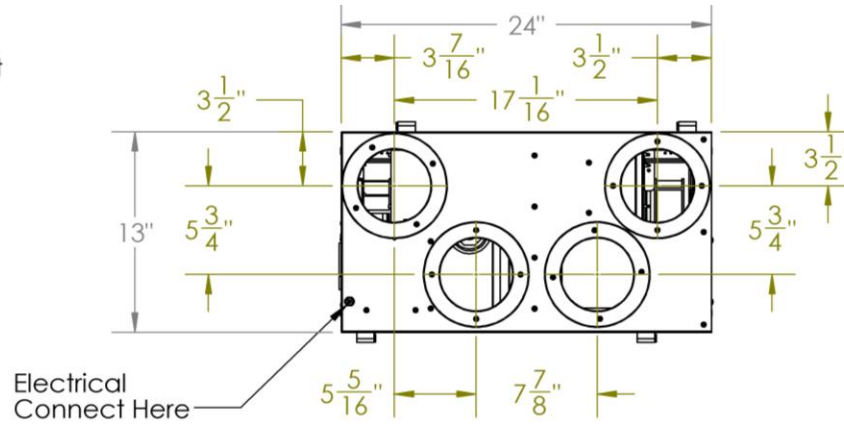
**Defrost:** When outdoor temperature falls to -5° C (23° F), an automatic timed defrost cycle is initiated. The fresh air motor will go to high speed and the exhaust air motor will turn off. A damper will shut off the cold supply port, directing ambient air through the core for defrosting. The unit will resume normal operation for a fixed duration, then the processor will read outdoor temperature and initiate defrost as necessary. Defrost varies with outdoor temperature.

**Warranty:** There is a 5-year warranty on all internal components. The heat recovery core has a lifetime warranty.

## Model: ES100

Notes:

1. Backward curved impellers
2. Temperature activated defrost
3. Cross-flow core
4. Remote connections
5. Defrost damper
6. Filters (2) washable
7. Hanger nutserts
8. 1/2" Drains
9. 5" Collars
10. Defrost/Recirculation from neutral space



Unit Reversible  
Doors are removable  
if required for access  
to core and routine  
maintenance

