

Model: ES100

VENTILATION PERFORMANCE

ENERGY PERFORMANCE

EXT. STATIC PRESSURE in wg (Pa)	NET SUPPLY AIR FLOW cfm (l/s)	GROSS AIR FLOW		SUPPLY TEMP. °F (°C)	NET AIR FLOW cfm (l/s)	POWER CONSUMED Watts	SENSIBLE RECOVERY EFFICIENCY	APPARENT SENSIBLE EFFECTIVENESS
		SUPPLY cfm (l/s)	EXHAUST cfm (l/s)					
0.1 (25)	147 (69)	150 (71)	172 (81)	+32 (0)	55 (26)	47	70%	79%
0.2 (50)	131 (61)	134 (63)	153 (72)	+32 (0)	66 (31)	52	68%	76%
0.3 (75)	118 (56)	121 (57)	135 (64)	+32 (0)	85 (40)	72	65%	73%
0.4 (100)	104 (49)	107 (50)	123 (58)	13 (-25)	64 (30)	58	56%	80%
0.5 (125)	91 (43)	93 (44)	111 (52)	13 (-25)	53 (25)	53	65%	82%
0.6 (150)	76 (36)	78 (37)	92 (43)					
0.7 (175)	64 (30)	66 (31)	79 (37)					
0.8 (200)	52 (24)	53 (25)	64 (30)					



CABINET/CORE: Collar size: 5-inch (127 mm). The case is constructed of 0.032 painted aluminum with a white enamel finish. The cabinet is fully insulated with 1-inch polyurethane. The unit is equipped with a polypropylene cross-flow heat exchange core. Shipping weight: 34 lbs (15 kg).

ELECTRICAL: 120V/1/60 Hz. 84W, 0.7A

REVERSIBLE: internal components can be accessed **front or back**

BLOWERS: Two backward curve impellers using PSC motors and permanently sealed bearings.

CERTIFICATION: cCSAus, HVI. Meets CSA F326, Novoclimat, and ASHRAE 62.2 requirements.

ADDITIONAL FEATURES:

- Furnace interlock options: commands furnace blower when HRV is on or only on high speed.
- Intelligent Defrost: duration and interval adjust to outdoor conditions below -5° C (23° F).
- **In defrost and recirculation modes, this unit will not induce indoor negative pressure nor recycle exhaust air; rather, it will redistribute ambient room air.**
- Balancing: differential pressure ports on doors allow air measurements without flow grid in ductwork. Independent speed adjustment of either supply or exhaust motor in BOTH high and low speed.
- 24 V circuit protection with self resetting fuse.
- Drain, hanger kit featuring buckle-fitted adjustable poly straps, polyester air filters included.
- 12 VDC or 24 V remote control options with the following Nu-Air controls:

ES Series (12 VDC): Unlimited numbers. Series or parallel.	WINDSOR Series (24 V)
ES-M1: Off/ Stby/ Lo/ Hi	DSTAT-1: Humidity control
ES-M2: Off/ Stby/ Lo/ 20 Lo—40 Stby	Win-1: Humidity control/ OFF/ STBY/ Continuous/ Intermittent/ Full-time high speed
ES-M3: Off/ Stby/ Lo/ 20 Lo—40 Recirculation	*WIN-20: 20-minute timer (up to 6),
ES-M4: Off/ Stby/ Lo/ Recirculation	*WIN-20 Gang: for multi-switch gang box
ES-T1: 20-40-60-minute timer	Also: Any 24 V, two-wire switch.
ES Lumina (NAV-561): Low speed, high speed, intermittent, recirculation, 20/40 standby/lo, 20/40 recirculation, 20-40-60-minute timer, filter alert	*Compatible with 12 VDC options.

Defrost: When outdoor temperature falls to -5° C (23° F), an automatic timed defrost cycle is initiated. The fresh air motor will go to high speed and the exhaust air motor will turn off. A damper will shut off the cold supply port, directing ambient air through the core for defrosting. The unit will resume normal operation for a fixed duration, then the processor will read outdoor temperature and initiate defrost as necessary. Defrost varies with outdoor temperature.

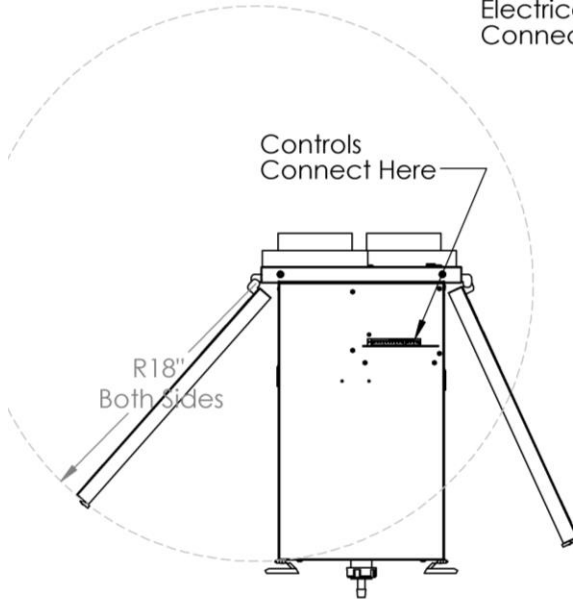
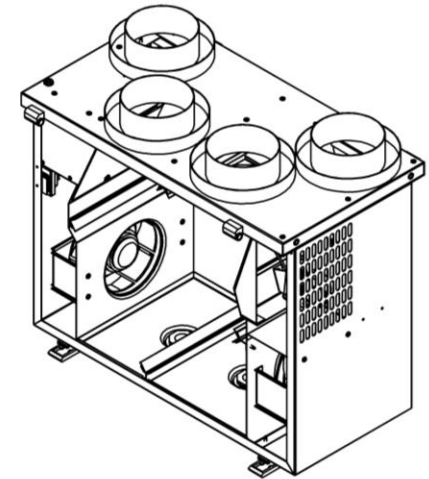
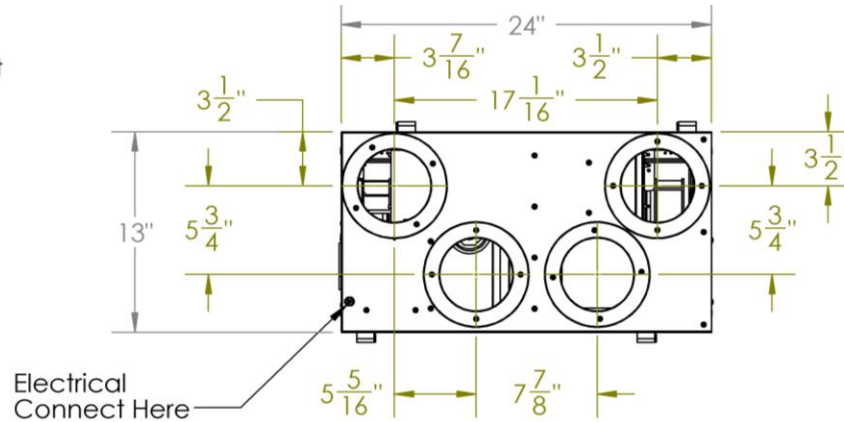
Warranty: There is a 5-year warranty on all internal components. The heat recovery core has a lifetime warranty.

This product earned the ENERGY STAR® by meeting strict energy efficiency guidelines set by Natural Resources Canada and the US EPA. It meets ENERGY STAR requirements only when used in Canada.

Model: ES100

Notes:

1. Backward curved impellers
2. Temperature activated defrost
3. Cross-flow core
4. Remote connections
5. Defrost damper
6. Filters (2) washable
7. Hanger nutserts
8. 1/2" Drains
9. 5" Collars
10. Defrost/Recirculation from neutral space



Unit Reversible
Doors are removable
if required for access
to core and routine
maintenance

