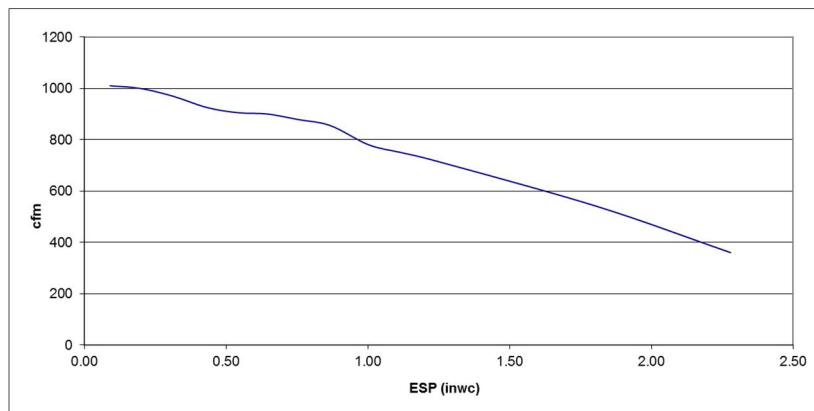


# NU1200 ERV PRODUCT INFORMATION SHEET



**APPROVALS:**

Conforms to UL Std 1812 Certified to CSA Std C22.2 No. 113,

**CABINET:** 22 ga. galvanized steel with 1" foil faced fiberglass insulation. .050 pre-painted white aluminum finish optional.

**ENERGY RECOVERY CORE:** Polymer membrane enthalpy core – standard.

**BLOWERS:** DWDI direct-drive.

**DEFROST OPTIONS**

**Circulation Defrost:** When outdoor temperature is below -5° C (23° F), a defrost cycle is initiated for a fixed duration. The fresh air motor will go to high speed and the exhaust air motor will shut down. A damper will shut off the cold supply port, directing ambient air through the core for defrosting. The unit will resume normal operation for a fixed duration, then the processor will read outdoor temperature and initiate defrost as necessary. Defrost times and intervals will vary according to temperature below -5° C (23° F). **NOTE:** *In circulation defrost mode, this unit will not induce indoor negative pressure nor recycle exhaust air; rather it will redistribute ambient room air.*

**Timed fan shut down defrost:** The outside air before the core is monitored. When below freezing, a defrost cycle is activated. The supply fan shuts down while the exhaust fan continues to move warm air through the core. After a predefined temperature based time cycle, the HRV reverts to exchange mode.

NU1200 ERV	
AIR FLOW	900 cfm @ 0.5 in. w.c. 425 l/s @ 125 Pa
DUCT SIZE W X H	14 x 8 in. 356 x 203 mm
CORE SIZE L x W	17.5 x 17.5 x 21 in. 444 x 444 x 520 mm
CABINET SIZE L x H x D	54 x 30 x 23 in. 1372 x 762 x 659 mm
BLOWERS DWDI DD	G9DD
HORSEPOWER	1/2
MOTORS:	15 µf
VOLTS:	115
TOTAL FL AMPS:	15.5
RPM/SPEEDS:	1625/2
WEIGHT	260 lb (118 kg)

**ADDITIONAL FEATURES:**

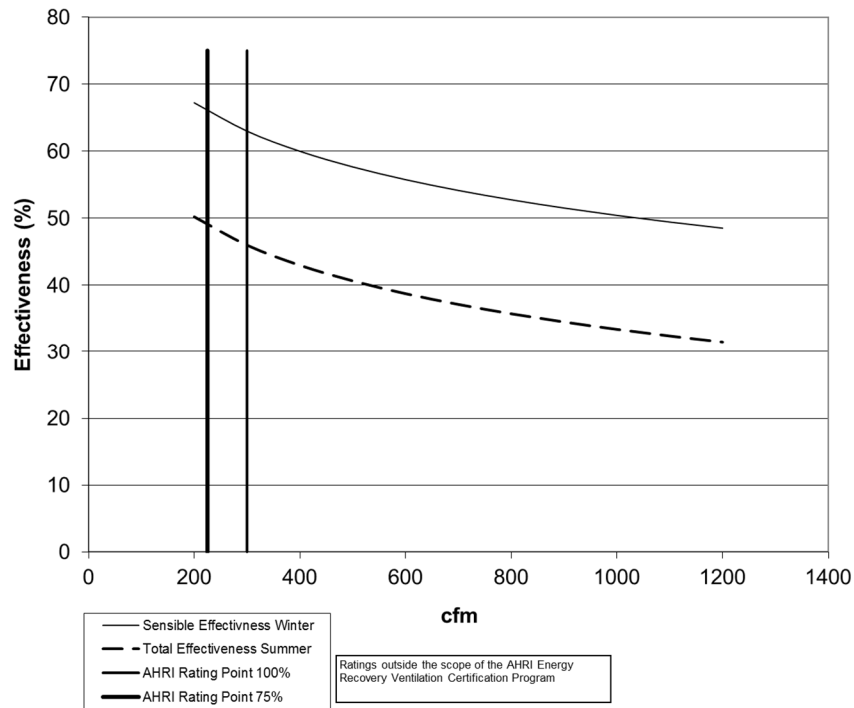
Fan interlock options: interlocks in Hi and Lo speeds or Hi speed only.  
 Intelligent defrost adjusts to outdoor conditions below -5° C (23° F)  
 24V circuit protection with self-resetting fuse  
 Drain, hanger kit, MERV8 air filters included 16"x20"x1"

12 VDC **AND/OR** 24 V connection for remote control with mechanical switch or the following Nu-Air controls:

12 VDC controls available	24 V controls available
<b>Lumina</b> digital control with dehumidistat, timer functions and filter change indicator <b>ES-M1:</b> Off/ Stand-by / Lo/ Hi <b>ES-M2:</b> Off/ Stand-by / Lo/ 20 Lo-40 Standby <b>ES-M3:</b> Off/ Stand-by / Lo/ 20 Lo-40 Recirculation <b>ES-M4:</b> Off/Stand-by/Recirculation <b>ES-T1:</b> 20-40-60-minute timer	Any Dry Contact Switch <b>DSTAT-1:</b> Humidity control <b>Win-1:</b> Humidity control/ OFF/ STBY/ Continuous/ Intermittent/ Full-time high speed <b>WIN-20:</b> 20-minute timer (up to 6)

**WARRANTY:** Subject to applicable consumer protection legislation Nu-Air Ventilation Systems Inc. warrants that the unit will be free from defective materials and workmanship for a period of two (2) years provided installation is in accordance with the instructions. There is a 15-year warranty on plastic cores, and a 5-year warranty for polymer enthalpy cores.

## NU1200 ERV Efficiency

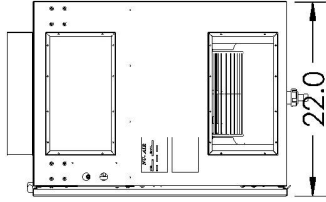
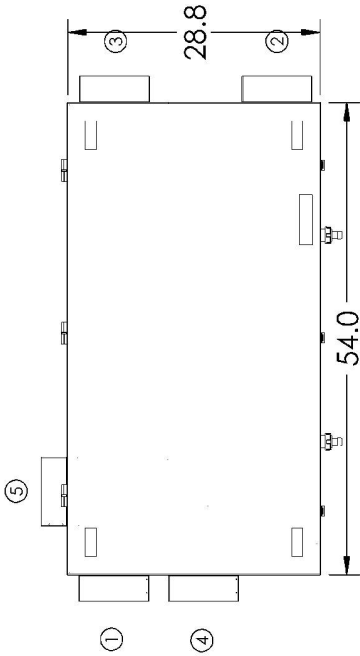
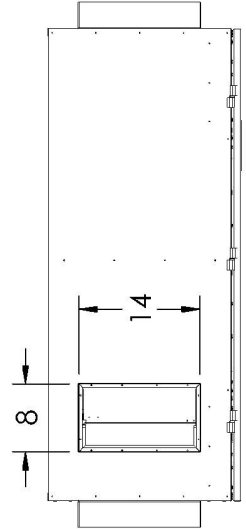
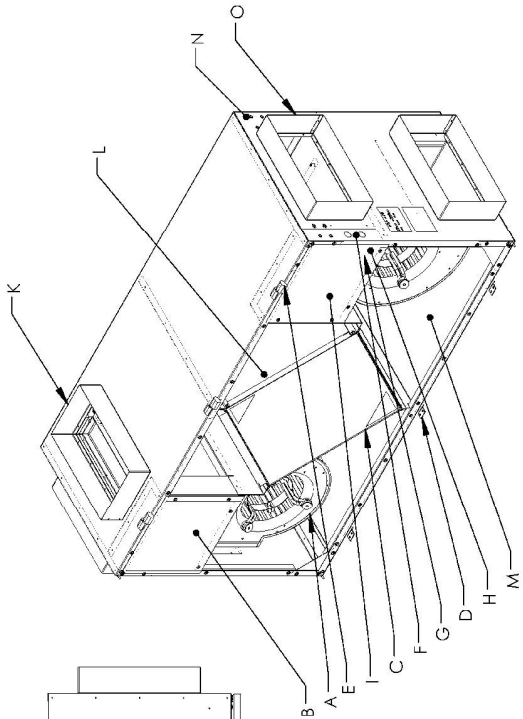


Model no.	EC-18		
Type	Plate		
Nominal Air Flow (scfm)	300		
Pressure drop (inches)	0.33		
Leakage Ratings	Diff. Pressure	EATR %	OACF
Test 1	-0.5	5	0.92
Test 2	0	0.8	1.07
Test 3	0.5	0.5	1.2
Thermal Effectiveness Ratings at 0" Pressure Differential			
	Sensible	Latent	Total
100% air Flow Heating	63	47	58
75% air Flow Heating	66	49	60
100% air Flow cooling	63	36	46
75% air Flow Cooling	66	39	49
	Net Sensible	Net Latent	Net Total
100% air Flow Heating	63	47	57
75% air Flow Heating	66	49	60
100% air Flow cooling	63	35	46
75% air Flow Cooling	66	39	49



Energy recovery component is certified by AHRI to AHRI Standard 1060. Actual performance in packaged equipment may vary.

FEATURES	
A	FORWARD CURVE, DUA... INLET BLOWER (2)
B	DEFROST SWITCH
C	HEAT EXCHANGER CORE - SENSIBLE OR TOTAL
D	LATCH (3)
E	HINGE (3)
F	ELECTRICAL CONNECTION - HARD WIRED
G	CONTROL TERMINALS
H	FURNACE INTERLOCK
I	ELECTRICAL BOX
J	
K	DEFROST AIR DAMPER AND COLLAR 14X8 -OPTIONAL
L	FILTERS (2)
M	5/8" DRAINS (2)
N	HANGER MOUNTS (4)
O	DUCT COLLARS 14X8



PORT DESIGNATIONS	
1	OUTSIDE AIR / FRESH AIR FROM OUTSIDE
2	SUPPLY AIR / FRESH AIR TO SPACE
3	RETURN AIR / EXHAUST AIR FROM SPACE
4	EX-HAUST AIR / EXHAUST AIR TO OUTSIDE
5	DEFROST AIR †

PROPRIETARY AND CONFIDENTIAL  
 THE INFORMATION CONTAINED IN THIS DRAWING IS THE SOLE PROPERTY OF NULAIR VENTILATION SYSTEMS INCORPORATED. ANY REPRODUCTION IN PART OR AS A WHOLE WITHOUT THE WRITTEN PERMISSION OF NULAIR VENTILATION SYSTEMS INCORPORATED IS PROHIBITED.

UNLESS OTHERWISE SPECIFIED: DIMENSIONS ARE IN INCHES TOLERANCES: ANGULAR: BEND ±1° TWO PLACE DECIMAL ±0.01 THREE PLACE DECIMAL ±0.001	DRAWN	NAME	DATE
MATERIAL PROJECT: NU800&1200			19/03/2012
DO NOT SCALE DRAWING	MODEL INFORMATION: Model Name: NU 1200 - Damper - Galvanized Model Revision Level: AB Drawing Revision Level: AA		



TITLE: NU0912 Shop Dwg	
SCALE: 1:20	WEIGHT:
SHEET 1 OF 1	