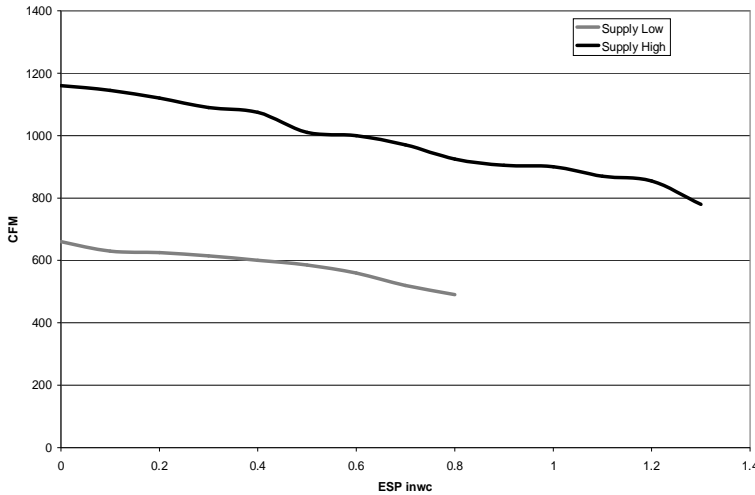


NU1200 HRV PRODUCT INFORMATION SHEET



APPROVALS:

Conforms to UL Std 1812 Certified to CSA Std C22.2 No. 113,

CABINET: 22 ga. galvanized steel with 1" foil faced fiberglass insulation. .050 pre-painted white aluminum finish optional.

HEAT EXCHANGER CORE: Polypropylene.

BLOWERS: DWDI direct-drive.

DEFROST OPTIONS

Circulation Defrost: When outdoor temperature is below -5°C (23° F), a defrost cycle is initiated for a fixed duration. The fresh air motor will run and the exhaust air motor will shut down. A damper will shut off the cold supply port, directing ambient air through the core for defrosting. The unit will resume normal operation for a fixed duration, then the processor will read outdoor temperature and initiate defrost as necessary. Defrost times and intervals will vary according to temperature below -5° C (23° F). **NOTE:** *In circulation defrost mode, this unit will not induce indoor negative pressure nor recycle exhaust air; rather it will redistribute ambient room air.*

Timed fan shut down defrost: The outside air before the core is monitored. When below freezing, a defrost cycle is activated. The supply fan shuts down while the exhaust fan continues to move warm air through the core. After a predefined temperature based time cycle, the HRV reverts to exchange mode.

NU1200 HRV	
AIR FLOW	1075 cfm @ 0.4 in. w.c. 505 l/s @ 100 Pa
DUCT SIZE W X H	14 x 8 in. 356 x 203 mm
CORE SIZE L x W	17.5 x 17.5 x 21 in. 444 x 444 x 520 mm
CABINET SIZE L x H x D	54 x 30 x 23 in. 1372 x 762 x 659 mm
BLOWERS DWDI DD	G9DD
HORSEPOWER	1/2
MOTORS:	15 µf
VOLTS:	115
TOTAL FL AMPS:	15.5
RPM/SPEEDS:	1625/2
WEIGHT	250 lb (113 kg)

ADDITIONAL FEATURES:

Fan interlock options: interlocks in Hi and Lo speeds or Hi speed only.

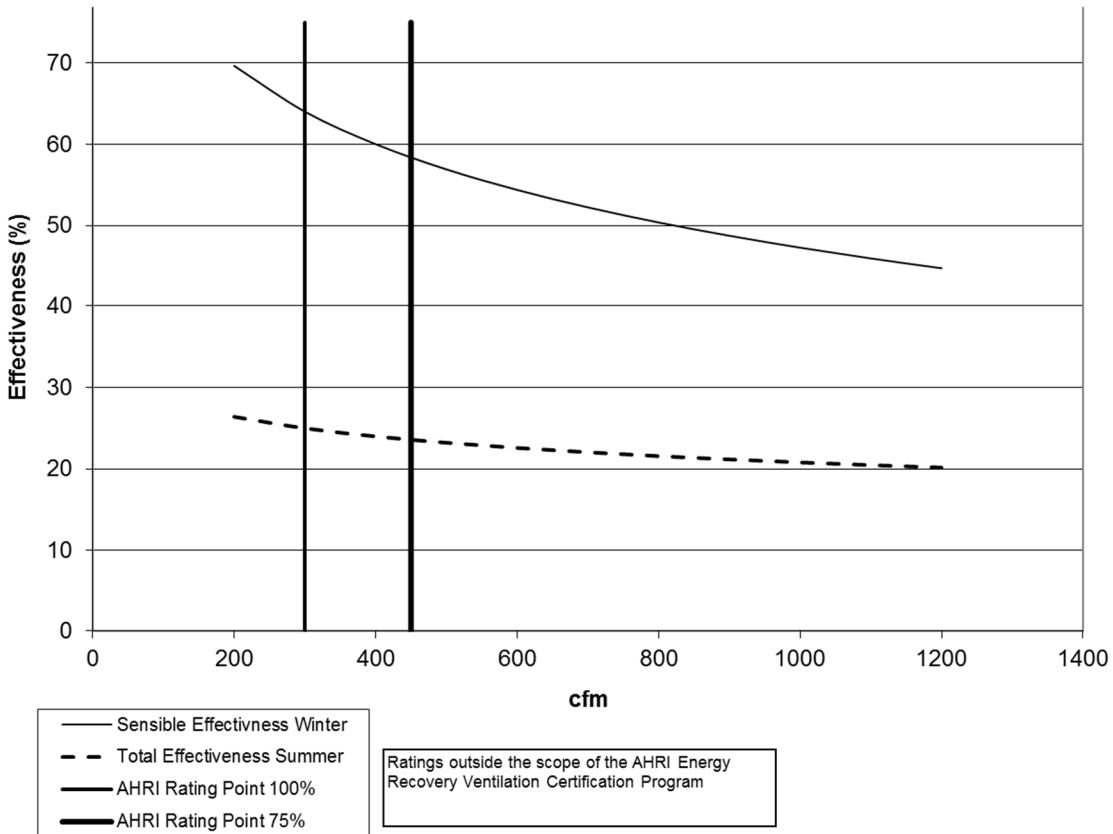
Intelligent defrost adjusts to outdoor conditions below -5°C (23° F)

24V circuit protection with self-resetting fuse

Drain, hanger kit, MERV 8 filters included 16"x20"x1"

WARRANTY: Subject to applicable consumer protection legislation Nu-Air Ventilation Systems Inc. warrants that the unit will be free from defective materials and workmanship for a period of two (2) years provided installation is in accordance with the instructions. There is a 15-year warranty on plastic cores, and a 5-year warranty for polymer enthalpy cores.

NU1200 HRV Efficiency



Model no.	PC 18
Type	Plate
Nominal Air Flow (scfm)	300
Pressure drop (inches)	0.07

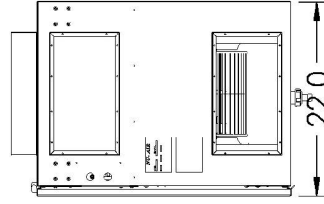
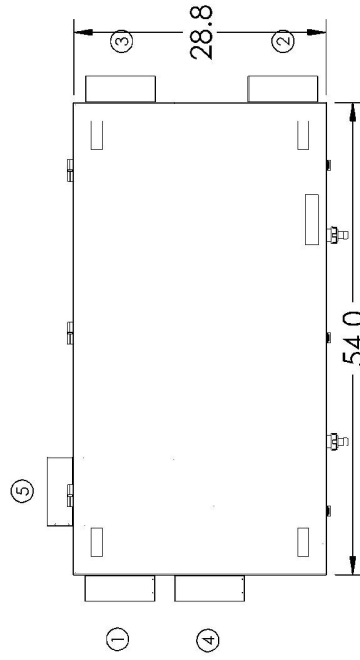
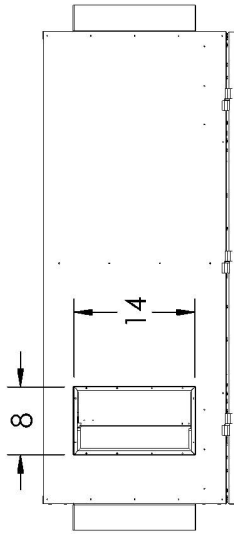
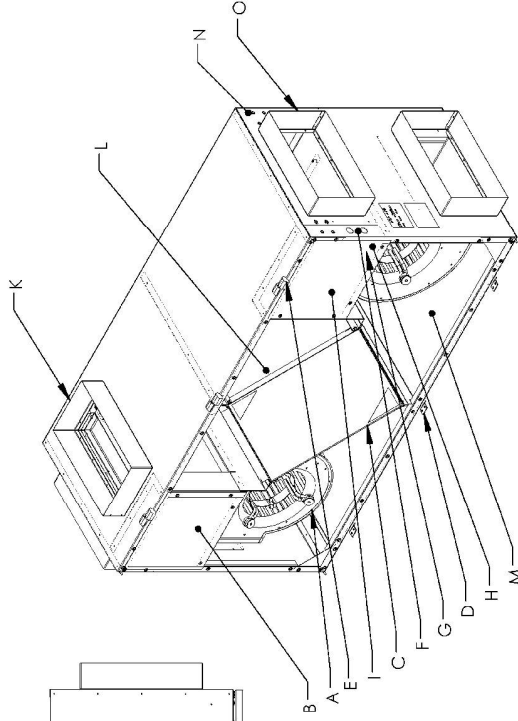


Energy recovery component is certified by AHRI to AHRI Standard 1060. Actual performance in packaged equipment may vary.

Leakage Ratings	Diff. Pressure	EATR %	OACF
Test 1	-0.5	0.00	1.00
Test 2	0	0.00	1.00
Test 3	0.5	0.00	1.00

Thermal Effectiveness Ratings at 0" Pressure Differential			
	Sensible	Latent	Total
100% air Flow Heating	63	0	39
75% air Flow Heating	65	0	43
100% air Flow cooling	67	0	24
75% air Flow Cooling	71	0	28
	Net Sensible	Net Latent	Net Total
100% air Flow Heating	63	0	39
75% air Flow Heating	65	0	43
100% air Flow cooling	67	0	24
75% air Flow Cooling	71	0	28

FEATURES	
A	FORWARD CURVE, DUA, INLET BLOWER (2)
B	DEFROST SWITCH
C	HEAT EXCHANGER CORE - SENSIBLE OR TOTAL
D	LATCH (3)
E	HINGE (3)
F	ELECTRICAL CONNECTION - HARD WIRED
G	CONTROL TERMINALS
H	FURNACE INTERLOCK
I	ELECTRICAL BOX
J	DEFROST AIR DAMPER AND COLLAR 14X8 -OPTIONAL
K	FILTERS (2)
L	5/8" DRAINS (2)
M	HANGER JOINTS (4)
N	DUCT COLLARS 14X8
O	



PORT DESIGNATIONS	
1	OUTSIDE AIR / FRESH AIR FROM OUTSIDE
2	SUPPLY AIR / FRESH AIR TO SPACE
3	RETURN AIR / EXHAUST AIR FROM SPACE
4	EXHAUST AIR / EXHAUST AIR TO OUTSIDE
5	DEFROST AIR

UNLESS OTHERWISE SPECIFIED: DIMENSIONS ARE IN INCHES TOLERANCES: ANGULAR: BEND ±1° TWO PLACE DECIMAL ±0.01 THREE PLACE DECIMAL ±0.001	DRAWN	NAME	DATE
		---	10/03/2012
MATERIAL	MODEL INFORMATION: Model Name: NU 1200 - Damper - Galvanized Model Revision Level: AB		
PROJECT:	NU800&1200		
DO NOT SCALE DRAWING	AA		

PROPRIETARY AND CONFIDENTIAL
THE INFORMATION CONTAINED IN THIS DRAWING IS THE SOLE PROPERTY OF NU-AIR VENTILATION SYSTEMS INCORPORATED. ANY REPRODUCTION IN PART OR AS A WHOLE WITHOUT THE WRITTEN PERMISSION OF NU-AIR VENTILATION SYSTEMS INCORPORATED IS PROHIBITED.



TITLE:

NU0912 Shop Dwg

SIZE	DWG. NO.	REV
A	70500	AB

SCALE: 1:20 WEIGHT: SHEET 1 OF 1