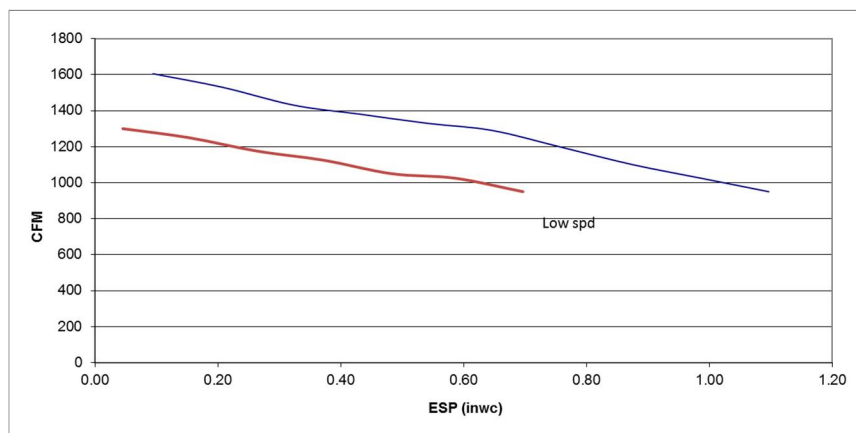


NU1600 ERV PRODUCT INFORMATION SHEET



APPROVALS:
 Conforms to UL Std
 1812 Certified to CSA
 Std C22.2 No. 113,



Intertek

CABINET: 22 ga. galvanized steel with 1" foil faced fiberglass insulation. .050 pre-painted white aluminum finish optional.

ENERGY RECOVERY CORE: Polymer membrane enthalpy core – standard.

BLOWERS: DWDI direct-drive.

DEFROST OPTIONS

Circulation Defrost: When outdoor temperature is below -5° C (23° F), a defrost cycle is initiated for a fixed duration. The fresh air motor will run and the exhaust air motor will shut down. A damper will shut off the cold supply port, directing ambient air through the core for defrosting. The unit will resume normal operation for a fixed duration, then the processor will read outdoor temperature and initiate defrost as necessary. Defrost times and intervals will vary according to temperature below -5° C (23° F)

Timed fan shut down defrost: The outside air before the core is monitored. When below freezing, a defrost cycle is activated. The supply fan shuts down while the exhaust fan continues to move warm air through the core. After a predefined temperature based time cycle, the HRV reverts to exchange mode

NOTE: In circulation defrost mode, this unit will not induce indoor negative pressure nor recycle exhaust air; rather it will redistribute ambient room air.

NU1600 ERV	
AIR FLOW	1300cfm @ 0.5 in. w.c. 547 l/s @ 122.50 Pa
DUCT SIZE W x H	20 x 10 in. 508 x 254 mm
CORE SIZE L x W	24 x 24 x 28 in. 607 x 607 x 711 mm
CABINET SIZE (Lx H x D)	64 x 38 x 30 1626 x 956 x 762
BLOWERS (FWD CURVE DIRECT DRIVE)	GT12-10
MOTORS: PSC	20 µf
HORSEPOWER:	1.0
VOLTS: PSC	208-230/1/60
TOTAL FL AMPS: PSC	13
RPM/SPEEDS: PSC	1075/2
WEIGHT	355 lb (161 kg)

ADDITIONAL FEATURES:

Fan interlock options: interlocks in Hi and Lo speeds or Hi speed only.

Intelligent defrost adjusts to outdoor conditions below -5° C (23° F)

24V circuit protection with self-resetting fuse

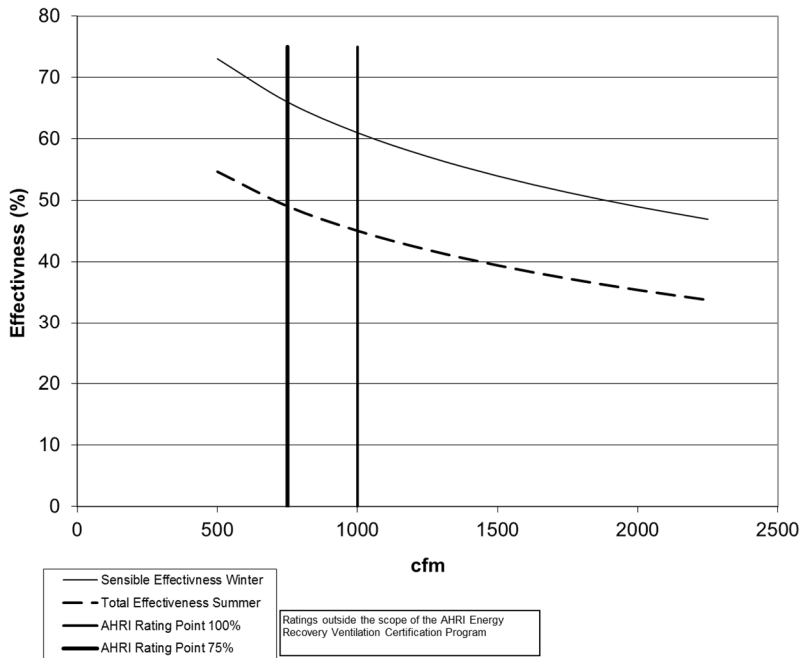
Drain, hanger kit, MERV 8 air filters included 12"x24"x1" and 16"x24"x1"

12 VDC **AND/OR** 24 V connection for remote control with mechanical switch or the following Nu-Air controls:

12 VDC controls available	24 V controls available
Lumina digital control with dehumidistat, timer functions and filter change indicator ES-M1: Off/ Stand-by / Lo/ Hi ES-M2: Off/ Stand-by / Lo/ 20 Lo-40 Stby ES-M3: Off/ Stand-by / Lo/ 20 Lo-40 Recirculation ES-M4: Off/Stand-by/Recirculation ES-T1: 20-40-60-minute timer	Any Dry Contact Switch DSTAT-1: Humidity control Win-1: Humidity control/ OFF/ STBY/ Continuous/ Intermittent/ Full-time high speed WIN-20: 20-minute timer (up to 6)

WARRANTY: Subject to applicable consumer protection legislation Nu-Air Ventilation Systems Inc. warrants that the unit will be free from defective materials and workmanship for a period of two (2) years provided installation is in accordance with the instructions. There is a 15-year warranty on plastic cores, and a 5-year warranty for polymer enthalpy cores.

NU1600 ERV Efficiency



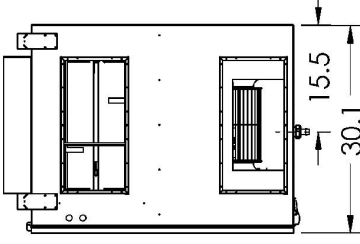
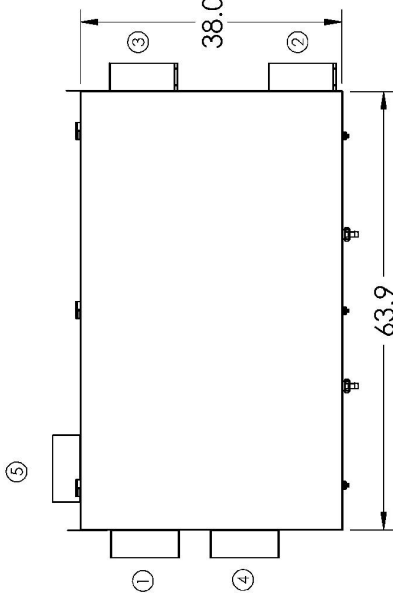
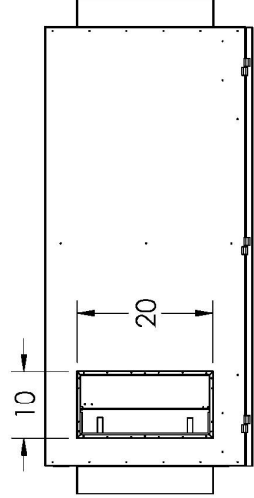
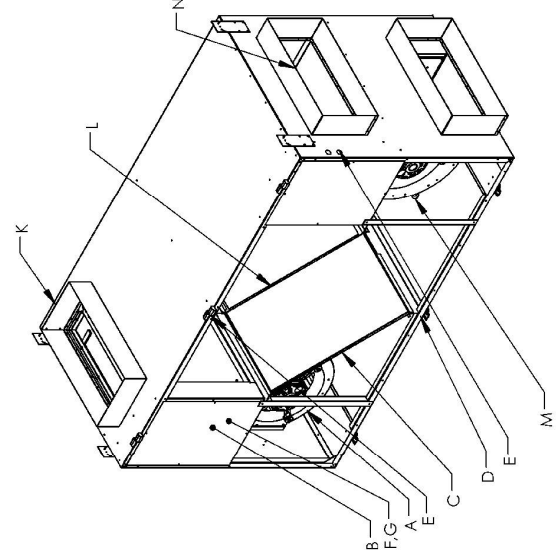
Model no.	EC-24		
Type	Plate		
Nominal Air Flow (scfm)	500		
Pressure drop (inches)	0.23		
Leakage Ratings	Diff. Pressure	EATR %	OACF
Test 1	-0.5	5	0.92
Test 2	0	0.8	1.07
Test 3	0.5	0.5	1.2
Thermal Effectiveness Ratings at 0" Pressure Differential			
	Sensible	Latent	Total
100% air Flow Heating	61	46	56
75% air Flow Heating	66	49	60
100% air Flow cooling	61	35	45
75% air Flow Cooling	66	39	49
	Net Sensible	Net Latent	Net Total
100% air Flow Heating	61	46	56
75% air Flow Heating	66	49	60
100% air Flow cooling	61	34	44
75% air Flow Cooling	66	39	49



Energy recovery component is certified by AHRI to AHRI Standard 1060. Actual performance in packaged equipment may vary.

FEATURES

A	FORWARD CURVE, DUAL INLET IMPELLER (2)
B	DEFROST SWITCH
C	HEAT EXCHANGER CORE - SENSIBLE OR TOTAL
D	LATCH (3)
E	HINGE (3)
F	ELECTRICAL CONNECTION - HARD WIRED
G	CONTROL TERMINALS
H	FURNACE INTERLOCK
I	ELECTRICAL BOX
J	
K	DEFROST AIR DAMPER AND COLLAR 20X10
L	FILTERS (2)
M	5/8" DRAINS (2)
N	HANGER MOUNTS (4)
O	DUCT COLLARS 20X10



PORT DESIGNATIONS	
1	OUTSIDE AIR / FRESH AIR FROM OUTSIDE
2	SUPPLY AIR / FRESH AIR TO SPACE
3	RETURN AIR / EXHAUST AIR FROM SPACE
4	EXHAUST AIR / EXHAUST AIR TO OUTSIDE
5	DEFROST AIR

PROPRIETARY AND CONFIDENTIAL
 THE INFORMATION CONTAINED IN THIS
 DRAWING IS THE SOLE PROPERTY OF
 NU-AIR VENTILATION SYSTEMS INCORPORATED
 ANY REPRODUCTION IN PART OR AS A WHOLE,
 WITHOUT THE WRITTEN PERMISSION OF
 NU-AIR VENTILATION SYSTEMS INCORPORATED
 IS PROHIBITED.

UNLESS OTHERWISE SPECIFIED:
 DIMENSIONS ARE IN INCHES
 TOLERANCES: BEND ±1°
 TWO PLACE DECIMAL ±0.01
 THREE PLACE DECIMAL ±0.001

DRAWN	NAME	DATE
MODEL INFORMATION: Model Name: 1600D Model Revision Level: AC Drawing Revision Level: AA		19/03/2012



TITLE: NU1316

SIZE	DWG. NO.	REV
A	72500	AC
SCALE: 1:24	WEIGHT:	SHEET 1 OF 1