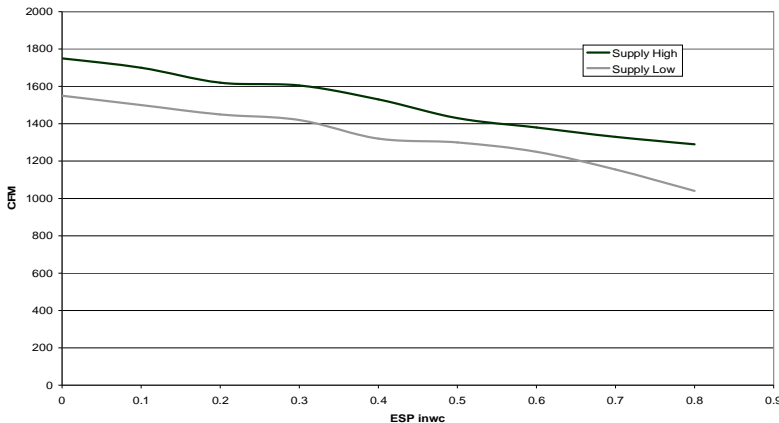


NU1600 HRV PRODUCT INFORMATION SHEET



APPROVALS:
 Conforms to UL Std
 1812 Certified to CSA
 Std C22.2 No. 113,

CABINET: 22 ga. galvanized steel with
 1" foil faced fiberglass insulation .050
 pre-painted white aluminum finish
 optional.

HEAT EXCHANGER CORE:
 Polypropylene core – standard.

BLOWERS: DWDI direct-drive.

DEFROST OPTIONS

Circulation Defrost: When outdoor temperature is below -5° C (23° F), a defrost cycle is initiated for a fixed duration. The fresh air motor will go to high speed and the exhaust air motor will shut down. A damper will shut off the cold supply port, directing ambient air through the core for defrosting. The unit will resume normal operation for a fixed duration, then the processor will read outdoor temperature and initiate defrost as necessary. Defrost times and intervals will vary according to temperature below -5° C (23° F).

Timed fan shut down defrost: The outside air before the core is monitored. When below freezing, a defrost cycle is activated. The supply fan shuts down while the exhaust fan continues to move warm air through the core. After a predefined temperature based time cycle, the HRV reverts to exchange mode.

NU1600 HRV	
AIR FLOW	1530cfm @ 0.4 in. w.c. 719 l/s @ 100Pa
DUCT SIZE (W x H)	20 x 10 in. 508 x 254 mm
CORE SIZE (L x W)	24 x 24 x 28 in. 607 x 607 x 711 mm
CABINET SIZE (L x H x D)	64 X 38 X 30
BLOWERS (FWD CURVE DIRECT DRIVE)	GT12-10
MOTORS: PSC	20 µf
HORSEPOWER:	1.0
VOLTS: PSC	208-230/1/60
TOTAL FL AMPS: PSC	13
RPM/SPEEDS: PSC	1075/2

NOTE: In circulation defrost mode, this unit will not induce indoor negative pressure nor recycle exhaust air; rather it will redistribute ambient room air.

ADDITIONAL FEATURES:

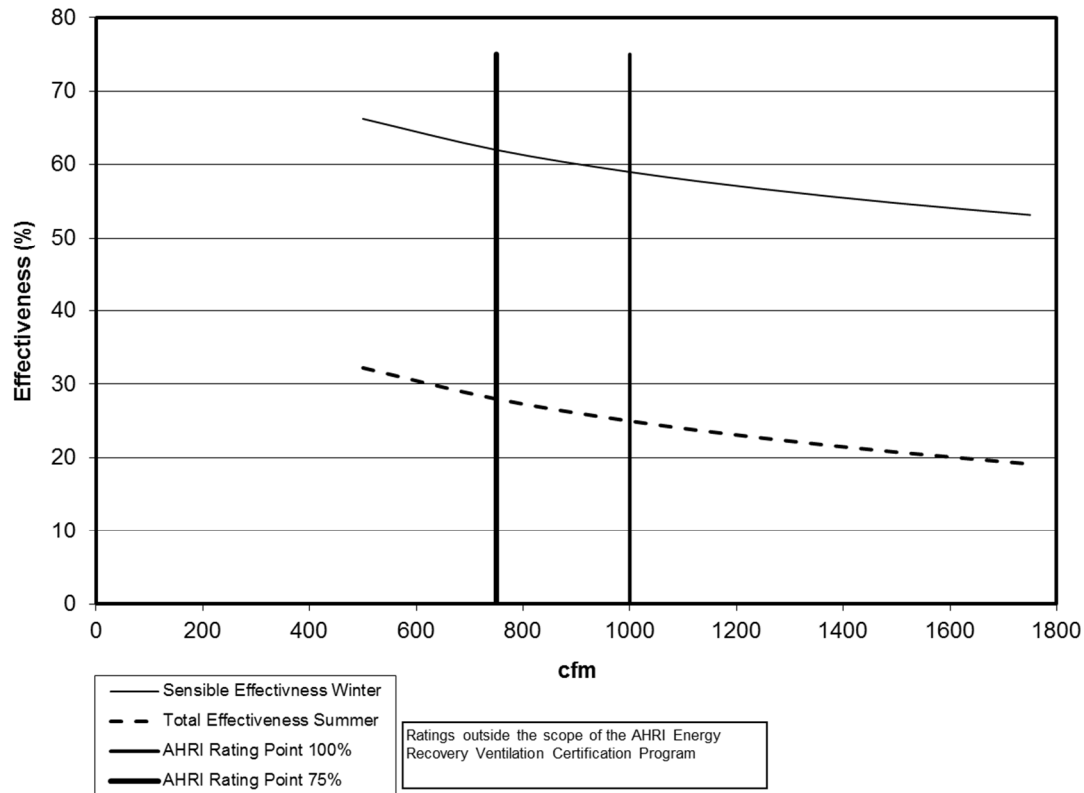
Fan interlock options: interlocks in Hi and Lo speeds or Hi speed only.
 Intelligent defrost adjusts to outdoor conditions below -5° C (23° F)

12 VDC **AND/OR** 24 V connection for remote control with mechanical switch or the following Nu-Air controls:

12 VDC controls available	24 V controls available
Lumina digital control with dehumidistat, timer functions and filter change indicator ES-M1: Off/ Stand-by / Lo/ Hi ES-M2: Off/ Stand-by / Lo/ 20 Lo-40 Standby ES-M3: Off/ Stand-by / Lo/ 20 Lo-40 Recirculation ES-M4: Off/Stand-by/Recirculation ES-T1: 20-40-60-minute timer	Any Dry Contact Switch DSTAT-1: Humidity control Win-1: Humidity control/ OFF/ STBY/ Continuous/ Intermittent/ Full-time high speed WIN-20: 20-minute timer (up to 6)

WARRANTY: Subject to applicable consumer protection legislation Nu-Air Ventilation Systems Inc. warrants that the unit will be free from defective materials and workmanship for a period of two (2) years provided installation is in accordance with the instructions. There is a 15-year warranty on plastic cores, and a 5-year warranty for polymer enthalpy cores.

NU1600 HRV Efficiency



Model no.	PC 24
Type	Plate
Nominal Air Flow (scfm)	500
Pressure drop (inches)	0.18

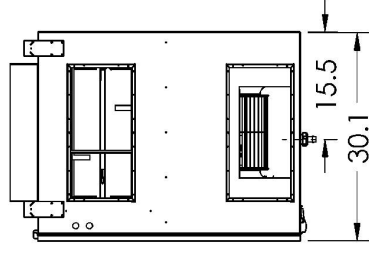
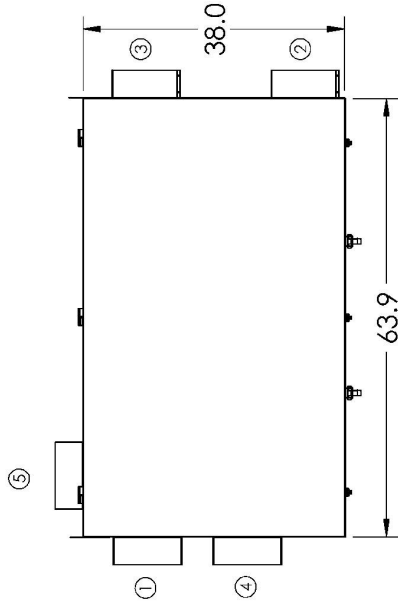
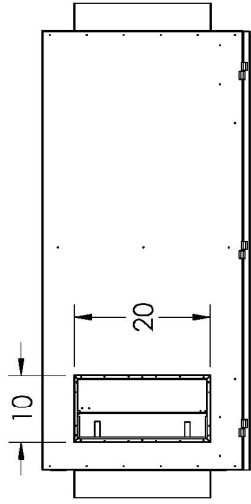
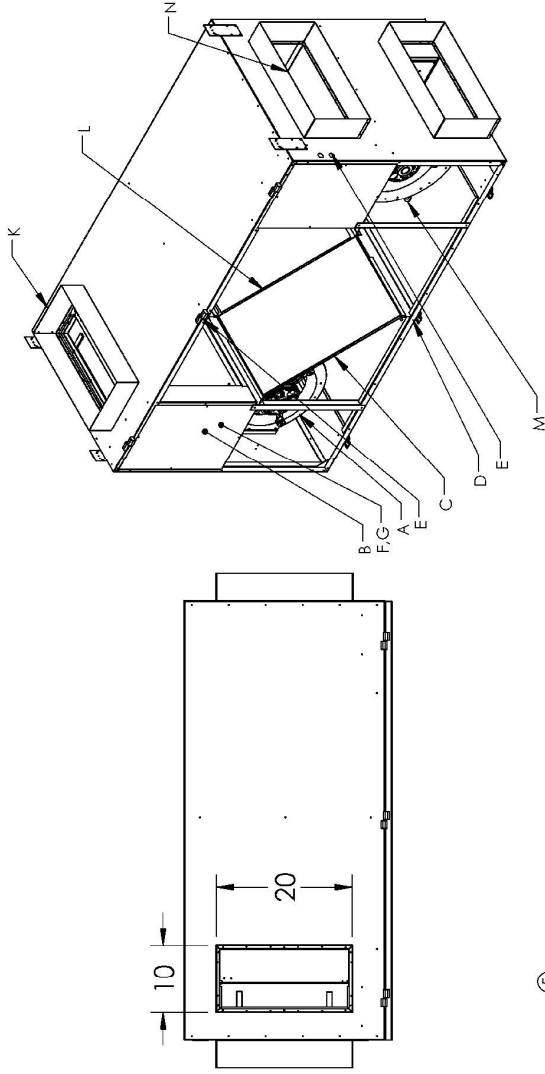


Energy recovery component is certified by AHRI to AHRI Standard 1060. Actual performance in packaged equipment may vary.

Leakage Ratings	Diff. Pressure	EATR %	OACF
Test 1	-0.5	0.00	1.00
Test 2	0	0.00	1.00
Test 3	0.5	0.00	1.00

Thermal Effectiveness Ratings at 0" Pressure Differential			
	Sensible	Latent	Total
100% air Flow Heating	59	0	38
75% air Flow Heating	62	0	42
100% air Flow cooling	60	0	25
75% air Flow Cooling	65	0	28
	Net Sensible	Net Latent	Net Total
100% air Flow Heating	59	0	38
75% air Flow Heating	62	0	42
100% air Flow cooling	60	0	25
75% air Flow Cooling	65	0	28

FEATURES	
A	FORWARD CURVE, DUAL INLET IMPELLER (2)
B	DEFROST SWITCH
C	HEAT EXCHANGER CORE - SENSIBLE OR TOTAL
D	LATCH (3)
E	HINGE (3)
F	ELECTRICAL CONNECTION - HARD WIRED
G	CONTROL TERMINALS
H	FURNACE INTERLOCK
I	ELECTRICAL BOX
J	
K	DEFROST AIR DAMPER AND COLLAR 20X10
L	FILTERS (2)
M	5/8" DRAINS (2)
N	HANGER MOUNTS (4)
O	DUCT COLLARS 20X10



PORT DESIGNATIONS	
1	OUTSIDE AIR / FRESH AIR FROM OUTSIDE
2	SUPPLY AIR / FRESH AIR TO SPACE
3	RETURN AIR / EXHAUST AIR FROM SPACE
4	EXHAUST AIR / EXHAUST AIR TO OUTSIDE
5	DEFROST AIR

UNLESS OTHERWISE SPECIFIED: DIMENSIONS ARE IN INCHES		DRAWN	NAME	DATE
TOLERANCES: ANGULAR: BEND ±1° TWO PLACE DECIMAL ±0.01 THREE PLACE DECIMAL ±0.001			---	19/03/2012
MATERIAL		MODEL INFORMATION: Model Name: 1600D Model Revision Level: AC Drawing Revision Level: AA		
PROJECT: NU1600		DO NOT SCALE DRAWING		
<p>PROPRIETARY AND CONFIDENTIAL THE INFORMATION CONTAINED IN THIS DRAWING IS THE SOLE PROPERTY OF NULAIR VENTILATION SYSTEMS INCORPORATED. ANY REPRODUCTION IN PART OR AS A WHOLE WITHOUT THE WRITTEN PERMISSION OF NULAIR VENTILATION SYSTEMS INCORPORATED IS PROHIBITED.</p>				

TITLE: NU1316		
SIZE	DWG. NO.	REV
A	72500	AC
SCALE: 1:24	WEIGHT:	SHEET 1 OF 1