

Model: NU165

EXT. STATIC PRESSURE in wg (Pa)	VENTILATION PERFORMANCE				ENERGY PERFORMANCE				
	NET SUPPLY AIR FLOW	GROSS AIR FLOW		SUPPLY TEMP.	NET AIR FLOW	POWER CONSUMED	SENSIBLE RECOVERY EFFICIENCY	APPARENT SENSIBLE EFFECTIVENESS	
	cfm (l/s)	SUPPLY	EXHAUST	°F (°C)	cfm (l/s)	Watts			
0.1 (25)	185 (87)	188 (88)	193 (91)	+32 (0)	62 (29)	46	65	73	
0.2 (50)	176 (83)	178 (84)	180 (85)	+32 (0)	86 (41)	62	63	70	
0.3 (75)	160 (75)	163 (76)	166 (78)	+32 (0)	115 (54)	76	61	68	
0.4 (100)	148 (70)	150 (71)	152 (71)						
0.5 (125)	137 (64)	139 (65)	141 (67)	13 (-25)	63 (30)	53	59	78	
0.6 (150)	124 (58)	126 (59)	130 (61)						
0.7 (175)	110 (52)	111 (52)	118 (55)						



CABINET/CORE: Collar size: 6-inch (152 mm); 5th Port: 5-inch (127 mm). The case is constructed of 0.032 painted aluminum with a white enamel finish. The cabinet is fully insulated with 1-inch polyurethane. The unit is equipped with a polypropylene cross-flow heat exchange core. Shipping weight: 42 lbs (19 kg).

ELECTRICAL: 120V/1/60 Hz. 128W, 1.1A

BLOWERS: Two backward curve impellers using PSC motors and permanently sealed bearings.

CERTIFICATION: cCSAus, HVI. Meets CSA F326 and ASHRAE 62.2 requirements.

ADDITIONAL FEATURES:

- Furnace interlock options: commands furnace blower when HRV is on or only on high speed.
- Intelligent Defrost: duration and interval adjust to outdoor conditions below -5° C (23° F).
- **In defrost and recirculation modes, this unit will not induce indoor negative pressure nor recycle exhaust air; rather, it will redistribute ambient room air.**
- Balancing: differential pressure ports on doors allow air measurements without flow grid in ductwork. Independent speed adjustment of either supply or exhaust motor in BOTH high and low speed.
- 24 V circuit protection with self resetting fuse.
- Drain, hanger kit featuring buckle-fitted adjustable poly straps, polyester air filters included.
- 12 VDC or 24 V remote control options with the following Nu-Air controls:

ES Series (12 VDC): Unlimited numbers. Series or parallel.	WINDSOR Series (24 V)
ES-M1: Off/ Stby/ Lo/ Hi ES-M2: Off/ Stby/ Lo/ 20 Lo—40 Stby ES-M3: Off/ Stby/ Lo/ 20 Lo—40 Recirculation ES-M4: Off/ Stby/ Lo/ Recirculation ES-T1: 20-40-60-minute timer ES Lumina (NAV-561): Low speed, high speed, intermittent, recirculation, 20/40 standby/lo, 20/40 recirculation, 20-40-60-minute timer, filter alert	DSTAT-1: Humidity control Win-1: Humidity control/ OFF/ STBY/ Continuous/ Intermittent/ Full-time high speed *WIN-20: 20-minute timer (up to 6), *WIN-20 Gang: for multi-switch gang box Also: Any 24 V, two-wire switch. *Compatible with 12 VDC options.

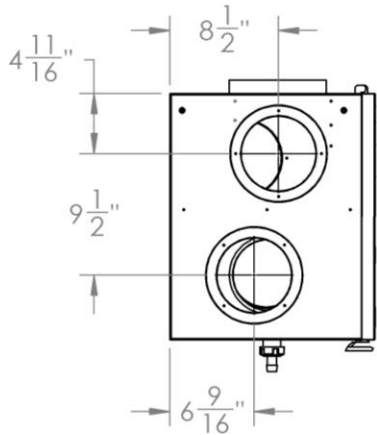
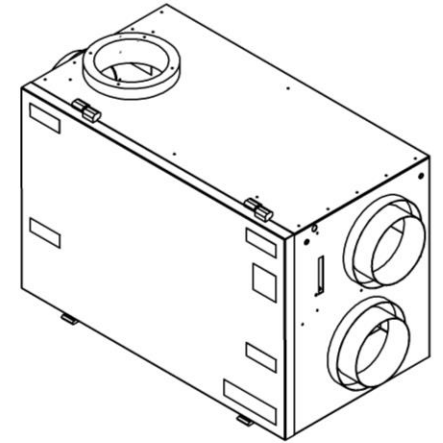
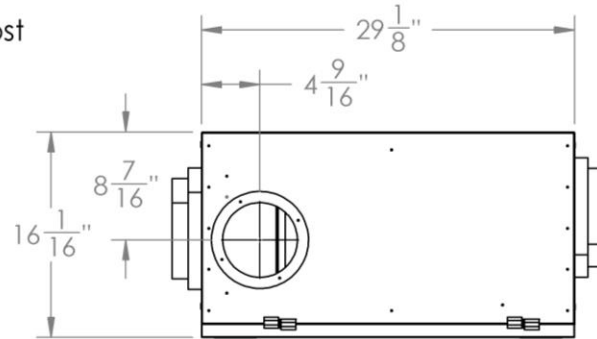
Defrost: When outdoor temperature falls to -5° C (23° F), an automatic timed defrost cycle is initiated. The fresh air motor will go to high speed and the exhaust air motor will turn off. A damper will shut off the cold supply port, directing ambient air through the core for defrosting. The unit will resume normal operation for a fixed duration, then the processor will read outdoor temperature and initiate defrost as necessary. Defrost varies with outdoor temperature.

Warranty: There is a 3-year warranty on all internal components. The heat recovery core has a lifetime warranty.

Model: NU165

Notes:

1. Backward curved impellers
2. Temperature activated defrost
3. Cross-flow core
4. Remote connections
5. Defrost damper
6. Filters (2) washable
7. Hanger nutserts
8. 1/2" Drains
9. 6" Collars



5" Defrost/Recirculation From Neutral Space

Outside Air (1)

Exhaust Air (4)

Electrical Connection Here

Controls Connection Here

Return Air (3)

Supply Air (2)

