

**Model: NU205**

**VENTILATION PERFORMANCE**

**ENERGY PERFORMANCE**

EXT. STATIC PRESSURE	NET SUPPLY AIR FLOW	GROSS AIR FLOW		SUPPLY TEMP.	NET AIR FLOW	POWER CONSUMED	SENSIBLE RECOVERY EFFICIENCY	APPARENT SENSIBLE EFFECTIVENESS
in wg (Pa)	cfm (l/s)	cfm (l/s)	EXHAUST cfm (l/s)	°F (°C)	cfm (l/s)	Watts		
0.1 (25)	227 (107)	230 (108)	282 (133)	+32 (0)	65 (31)	72	70	81
0.2 (50)	203 (96)	206 (97)	262 (124)	+32 (0)	97 (46)	82	66	74
0.3 (75)	194 (92)	196 (93)	244 (115)	+32 (0)	107 (51)	86	65	73
0.4 (100)	177 (84)	179 (84)	222 (105)					
0.5 (125)	162 (77)	164 (78)	206 (97)	13 (-25)	91 (43)	89	62	77
0.6 (150)	149 (70)	150 (71)	188 (89)					
0.7 (175)	130 (62)	132 (62)	165 (78)					
0.8 (200)	115 (54)	116 (55)	144 (68)					
0.9 (225)	91 (43)	92 (43)	125 (59)					
1.0 (250)	77 (36)	77 (37)	98 (46)					



**CABINET/CORE:** Collar size: 7-inch (177.8 mm); 5<sup>th</sup> Port: 5-inch (127 mm). The case is constructed of 0.032 painted aluminum with a white enamel finish. The cabinet is fully insulated with 1-inch polystyrene. The unit is equipped with a polypropylene cross-flow heat exchange core. Shipping weight: 42 lb (19 kg).

**CERTIFICATION:** cCSAus CSA C22.2, ASHRAE 62.2 **ELECTRICAL:** 120V/1/60 Hz. 156W, 1.0 A

**BLOWERS:** Two backward curve impellers using PSC motors and permanently sealed bearings.

**REVERSIBLE:**  
internal components  
can be accessed  
front or back.

**ADDITIONAL FEATURES:**

- Furnace interlock options: commands furnace blower when HRV is on or only on high speed
- Intelligent Defrost: duration and interval adjust to outdoor conditions below -5° C (23° F)
- **In defrost and recirculation modes, this unit will not induce indoor negative pressure nor recycle exhaust air; rather, it will redistribute ambient room air.**
- Balancing: differential pressure ports on door allow air measurements without flow grid in ductwork. Independent speed adjustment of either supply or exhaust motor in BOTH high and low speed.
- 24 V circuit protection with self resetting fuse
- Drain, hanger kit, polyester air filters included
- 12 VDC or 24 VAC remote control options with the following Nu-Air controls:

<b>ES Series (12 VDC):</b> Unlimited numbers. Series or parallel.	<b>WINDSOR Series (24 VAC)</b>
<b>ES-M1:</b> Off/ Stby/ Lo/ Hi	<b>DSTAT-1:</b> Humidity control
<b>ES-M2:</b> Off/ Stby/ Lo/ 20 Lo—40 Stby	<b>Win-1:</b> Humidity control/ OFF/ STBY/ Continuous/ Intermittent/ Full-time high speed
<b>ES-M3:</b> Off/ Stby/ Lo/ 20 Lo—40 Recirculation	<b>*WIN-20:</b> 20-minute timer (up to 6)
<b>ES-M4:</b> Off/ Stby/ Lo/ Recirculation (Lo)	<b>*WIN-20 Gang: for multi-switch wall boxes</b>
<b>ES-T1:</b> 20-40-60-minute timer	<b>Also: Any 24 VAC, two-wire switch.</b>
<b>Lumina (NAV-561):</b> Low speed, high speed, intermittent, recirculation, 20/40 standby, 20/40 recirculation, 20-40-60 minute timer, filter service alert (clock)	<b>*Compatible with Nu-Air 12 VDC control options</b>

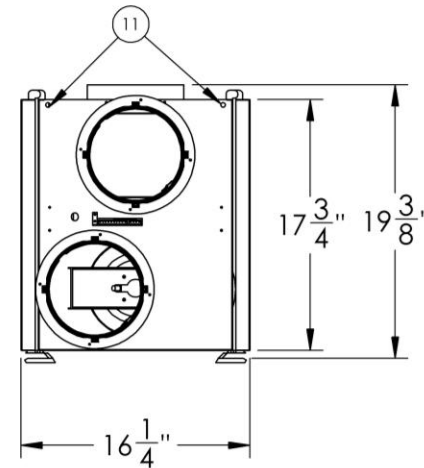
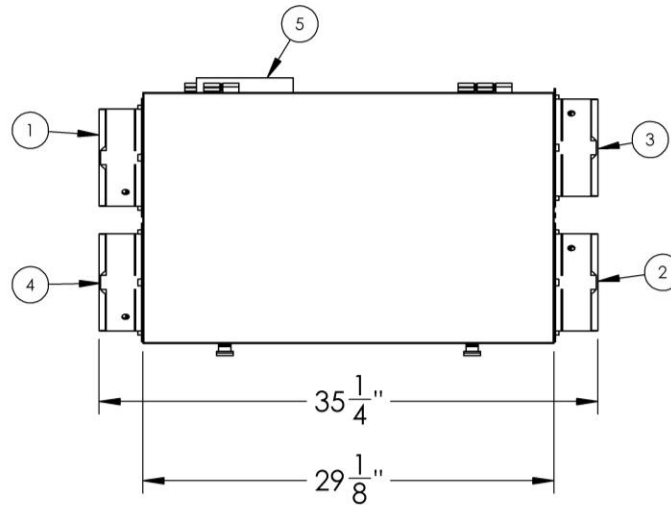
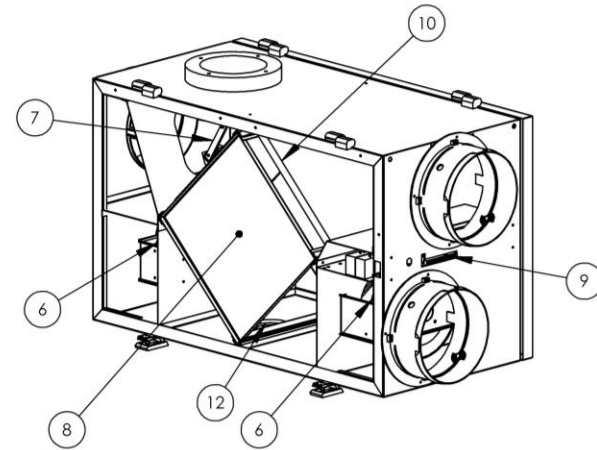
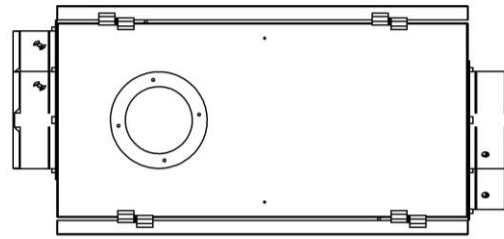
**Defrost:** When outdoor temperature falls to -5° C (23° F), an automatic timed defrost cycle is initiated. The fresh air motor will go to high speed and the exhaust air motor will turn off. A damper will shut off the cold supply port, directing ambient air through the core for defrosting. Normal operation resumes for a fixed duration, then the processor will read outdoor temperature and initiate defrost as necessary. Defrost varies with outdoor temperature.

**Warranty:** There is a 3-year warranty on all internal components. The heat recovery core has a lifetime warranty.

**Model: NU205**

Notes:

1. 7" Outside air collar
2. 7" Supply air collar
3. 7" Return air collar
4. 7" Exhaust air collar
5. 5" Recirculation port
6. Backward curved impellers
7. Defrost damper
8. Cross flow core
9. Remote connections
10. Washable filters (2)
11. Hanger nutserts (4)
12. 1/2" Drains (2)



Unit is reversible, 2 doors are removable if required for access to core and routine maintenance