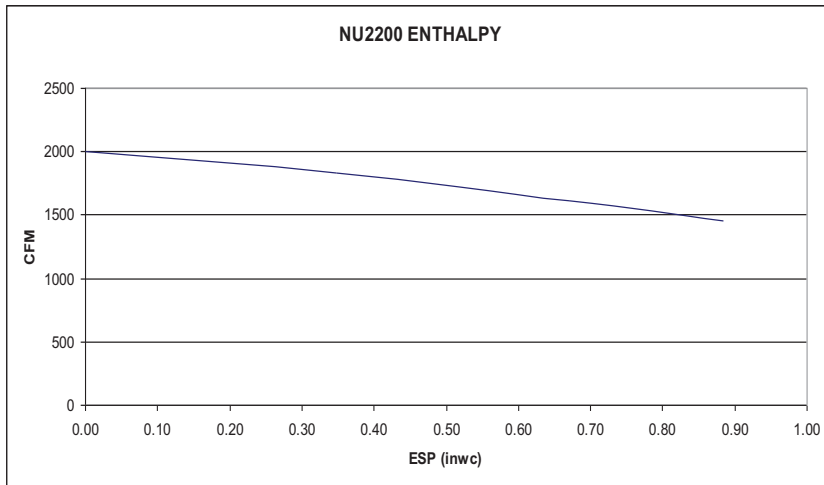


## 12. NU2200 ERV PRODUCT INFORMATION SHEET



**CABINET:** 22 ga galvanized steel with 1” foil faced fiberglass insulation. .050 pre-painted white aluminum finish optional.

**ENERGY RECOVERY CORE:** Enthalpy Core – Standard

**BLOWERS:** FC DWDI 810 Belt Drive

**CERTIFICATION:** QPS or CSA SPE-1000, AHRI 1060

### **DEFROST METHOD:**

*Timed fan shut down defrost*- a temperature sensor shuts down the supply fan when the outside air is cold enough to freeze condensate. The supply fan remains off for a set length of time. The supply fan resumes normal operation for a set length of time and the cycle repeats as long as the outside air temperature is below the set point. Both defrost and run cycles shall be field adjustable via the unit’s control.

*Temperature fan shut down defrost* - The exhaust air after the core is monitored. When below freezing, a defrost cycle is activated. The supply fan shuts down while the exhaust fan continues to move warm air through the core. When the exhaust air rises above 7 °C (45 °F) the HRV reverts to exchange mode.

### **ADDITIONAL FEATURES:**

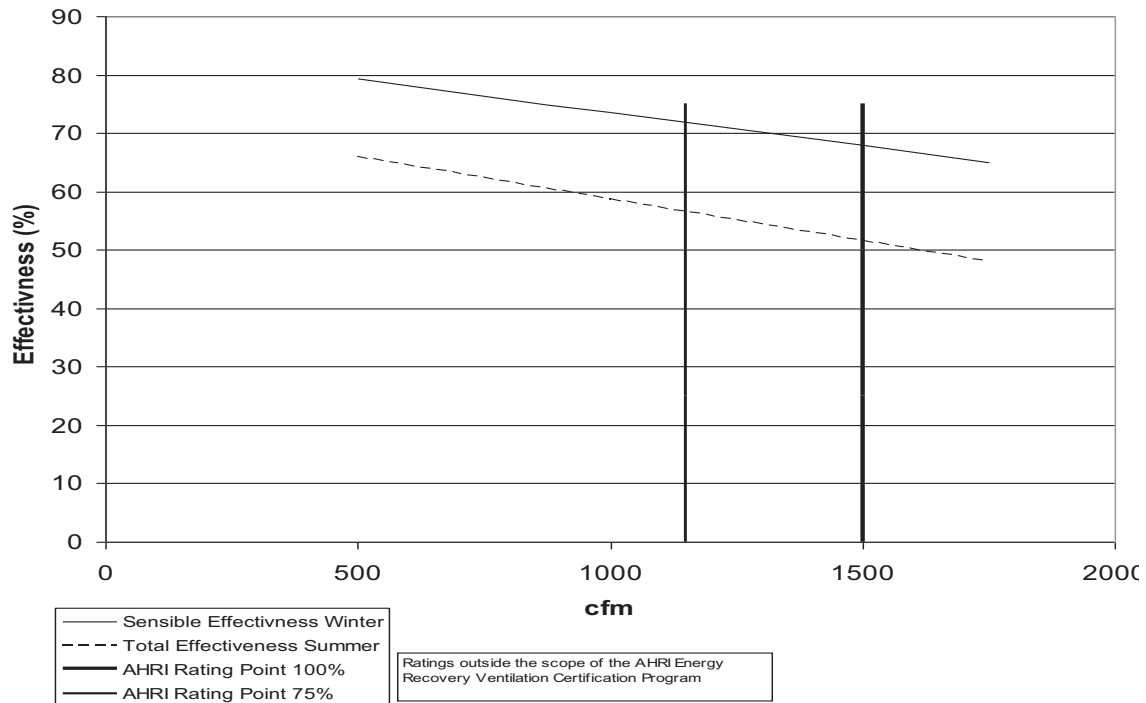
- Local non-fused disconnect
- Local On-Off (single speed)
- Split motor pulley for field adjustment of fan rpm
- Drain kit included
- 208-230 V single point internal connection
- 1” pleated filters, 30%-40% ASHRAE dust spot efficiency – STANDARD 12”x24”x1” and 16”x24”x1”
- Two section core for easy removal & cleaning
- Base rail complete with tripping brackets

NU2200	
AIR FLOW	1450cfm @ 0.88 in. w.c. 684 l/s @ 220Pa
DUCT SIZE W x H	24 x 12 in. 610 x 305 mm
CORE SIZE L x W	24 x 24 x 28 in. 607 x 607 x 711 mm
CABINET SIZE (LxHxD)	64 X 38 X30
BLOWERS	810
Belts (2)	B36
HORSE POWER	1.5
VOLTS: 1-Phase	208-230/1/60
VOLTS: 3-Phase	208/3/60
TOTAL FL AMPS: 1-Phase	16.8-16.4
TOTAL FL AMPS: 3-Phase	11.0
RPM/SPEEDS: 1-Phase	1725/1
RPM/SPEEDS: 3-Phase	1725/1

**WARRANTY:** Subject to applicable consumer protection legislation Nu-Air Ventilation Systems Inc. warrants that the unit will be free from defective materials and workmanship for a period of two (2) years provided installation is in accordance with the instructions. There is a 15 year warranty on plastic cores and one 5 year for enthalpy cores.

Note: Nu-Air reserves the right to change specifications without notice.

## NU2200 ERV EFFICIENCY



<b>Model no.</b>	<b>EXC-24S-15H-250</b>
<b>Type</b>	<b>Plate</b>
<b>Nominal Air Flow (scfm)</b>	<b>750</b>
<b>Pressure drop (inches)</b>	<b>0.63</b>

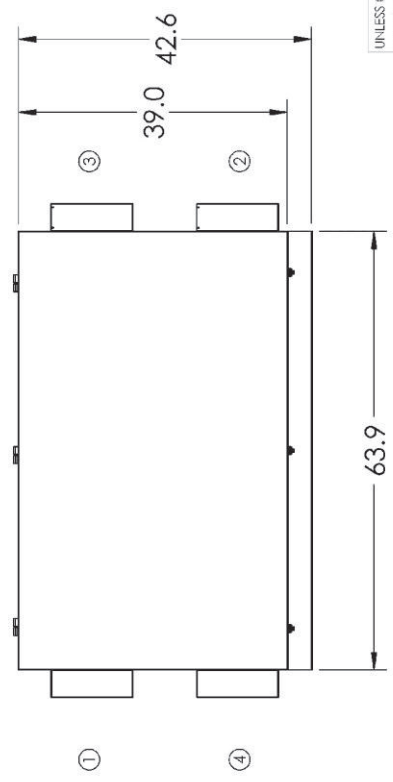
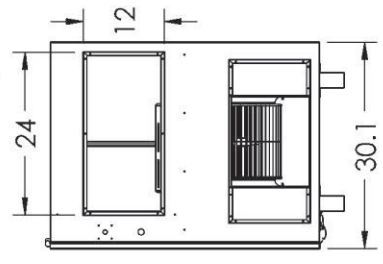
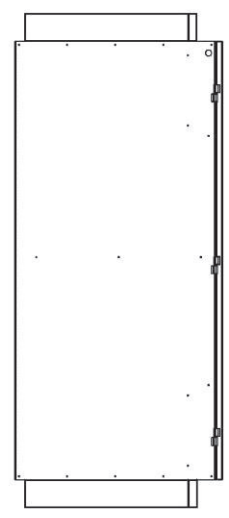
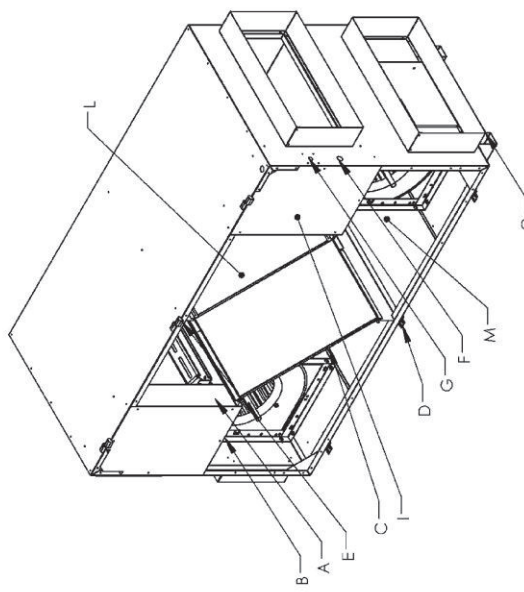


Energy recovery component is certified by AHRI to AHRI Standard 1060. Actual performance in packaged equipment may vary.

<b>Leakage Ratings</b>	<b>Diff. Pressure</b>	<b>EATR %</b>	<b>OACF</b>
<b>Test 1</b>	<b>-0.5</b>	<b>0.00</b>	<b>1.00</b>
<b>Test 2</b>	<b>0</b>	<b>0.00</b>	<b>1.00</b>
<b>Test 3</b>	<b>0.5</b>	<b>0.00</b>	<b>1.00</b>

<b>Thermal Effectiveness Ratings at 0" Pressure Differential</b>			
	<b>Sensible</b>	<b>Latent</b>	<b>Total</b>
<b>100% air Flow Heating</b>	<b>68</b>	<b>38</b>	<b>58</b>
<b>75% air Flow Heating</b>	<b>72</b>	<b>40</b>	<b>61</b>
<b>100% air Flow cooling</b>	<b>81</b>	<b>34</b>	<b>52</b>
<b>75% air Flow Cooling</b>	<b>87</b>	<b>38</b>	<b>57</b>
	<b>Net Sensible</b>	<b>Net Latent</b>	<b>Net Total</b>
<b>100% air Flow Heating</b>	<b>68</b>	<b>38</b>	<b>58</b>
<b>75% air Flow Heating</b>	<b>72</b>	<b>40</b>	<b>61</b>
<b>100% air Flow cooling</b>	<b>81</b>	<b>34</b>	<b>52</b>
<b>75% air Flow Cooling</b>	<b>87</b>	<b>38</b>	<b>57</b>

FEATURES	
A	FORWARD CURVE, DUAL INLET IMPELLER (2)
B	DEFROST SWITCH
C	HEAT EXCHANGER CORE - SENSIBLE OR TOTAL
D	LATCH (3)
E	HINGE (3)
F	ELECTRICAL CONNECTION - HARD WIRED
G	CONTROL TERMINALS
H	
I	ELECTRICAL BOX
J	
K	
L	FILTERS (2)
M	5/8" DRAINS (2)
N	
O	DUCT COLLARS 24X12"



PORT DESIGNATIONS	
1	OUTSIDE AIR / FRESH AIR FROM OUTSIDE
2	SUPPLY AIR / FRESH AIR TO SPACE
3	RETURN AIR / EXHAUST AIR FROM SPACE
4	EXHAUST AIR / EXHAUST AIR TO OUTSIDE

UNLESS OTHERWISE SPECIFIED: DIMENSIONS ARE IN INCHES	DRAWN	NAME	DATE
TOLERANCES: ANGULAR: BEND ±1°			2/03/2012
TWO PLACE DECIMAL ±0.01	MODEL INFORMATION:		
THREE PLACE DECIMAL ±0.001	NU2200 General Assembly		
MATERIAL	Model Revision Level:		
	AA+		
PROJECT: NU2200	Drawing Revision Level:		
	---		
DO NOT SCALE DRAWING			



NU2200 SHOP DWG

TITLE:

SIZE	DWG. NO.	REV
A		AA+
SCALE: 1:24	WEIGHT:	SHEET 1 OF 2