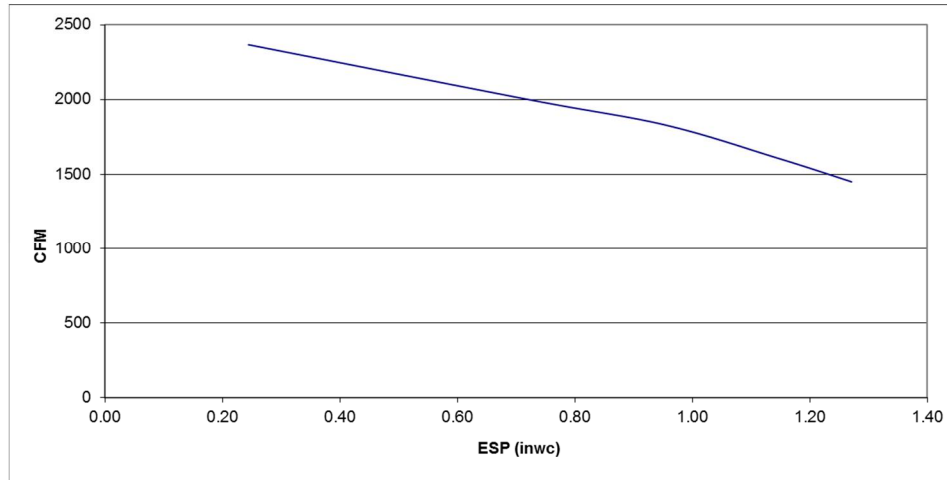


NU2200 ERV PRODUCT INFORMATION SHEET



CABINET: 22 ga. galvanized steel with 1” foil faced fiberglass insulation. .

ENERGY RECOVERY CORE: Enthalpy Core – Standard

BLOWERS: FC DWDI 810 Belt Drive

CERTIFICATION: CSA SPE-1000, AHRI 1060

DEFROST METHOD:

Timed fan shut down defrost: A temperature sensor shuts down the supply fan when the outside air is cold enough to freeze condensate. The supply fan remains off for a set length of time. The supply fan resumes normal operation for a set length of time and the cycle repeats as long as the outside air temperature is below the set point. Both defrost and run cycles are field adjustable via the unit’s control.

Temperature fan shut down defrost: The exhaust air after the core is monitored. When below freezing, a defrost cycle is activated. The supply fan shuts down while the exhaust fan continues to move warm air through the core. When the exhaust air rises above 7 °C (45 °F) the HRV reverts to exchange mode.

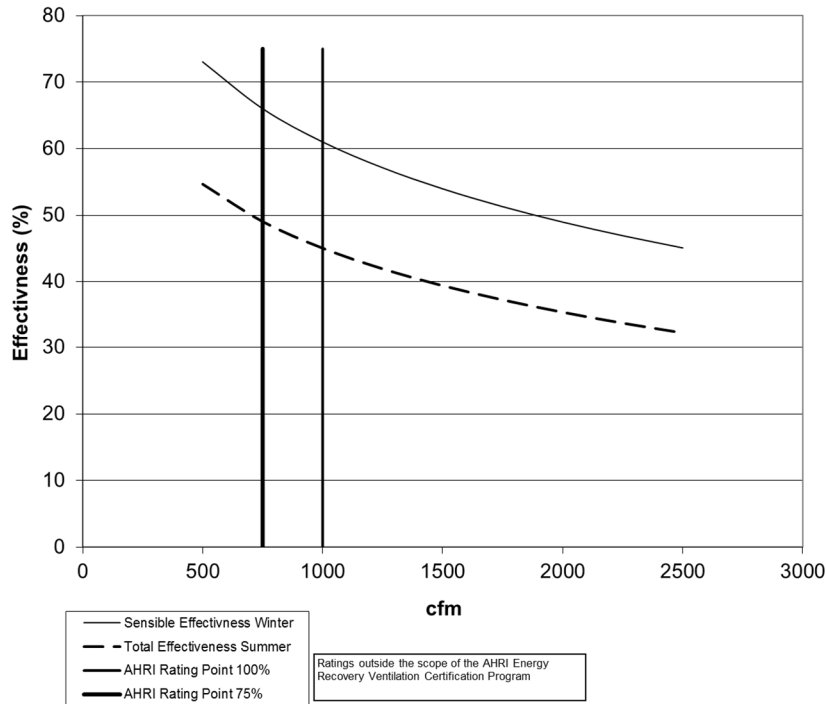
ADDITIONAL FEATURES:

- Local non-fused disconnect
- Local On-Off (single speed)
- Split motor pulley for field adjustment of fan rpm
- Drain kit included
- 208-230 V single point internal connection
- 1” MERV 8 pleated filters – STANDARD 12”x24”x1” and 16”x24”x1”
- Two section core for easy removal & cleaning
- Base rail complete with tripping brackets

NU2200	
AIR FLOW	2000cfm @ 0.75 in.w.c. 684 l/s @ 220Pa
DUCT SIZE W x H	24 x 12 in. 610 x 305 mm
CORE SIZE L x W	24 x 24 x 28 in. 607 x 607 x 711 mm
CABINET SIZE (LxHxD)	64 X 38 X30
BLOWERS	810
Belts (2)	B36
HORSE POWER	1.5
VOLTS: 1-Phase	208-230/1/60
VOLTS: 3-Phase	208/3/60
TOTAL FL AMPS: 1-Phase	16.8-16.4
TOTAL FL AMPS: 3-Phase	11.0
RPM/SPEEDS: 1-Phase	1725/1
RPM/SPEEDS: 3-Phase	1725/1

WARRANTY: Subject to applicable consumer protection legislation Nu-Air Ventilation Systems Inc. warrants that the unit will be free from defective materials and workmanship for a period of two (2) years provided installation is in accordance with the instructions. There is a 15 year warranty on plastic cores and one 5 year for enthalpy cores.

NU2200 ERV EFFICIENCY

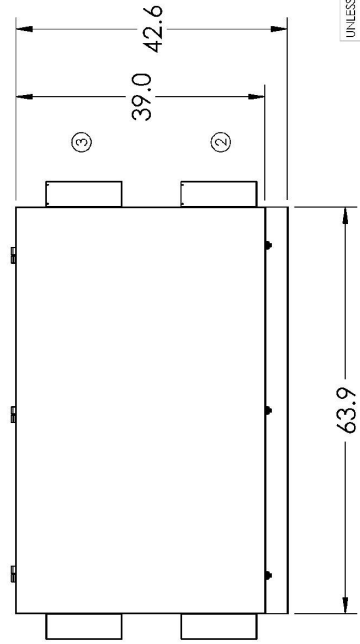
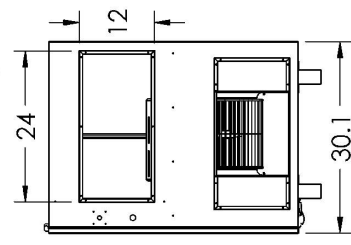
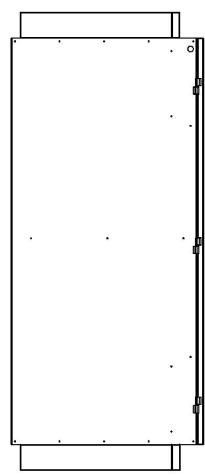
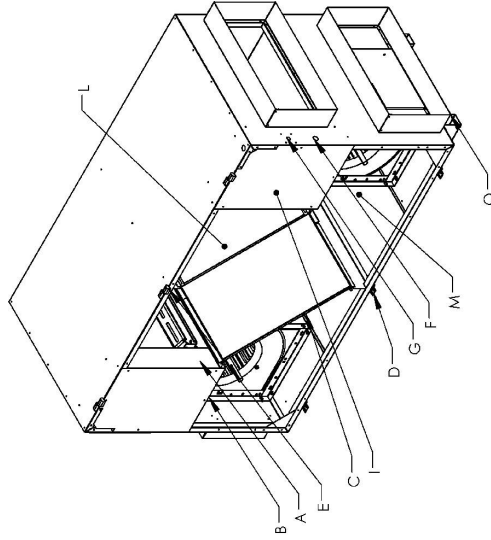


Model no.	EC-24		
Type	Plate		
Nominal Air Flow (scfm)	500		
Pressure drop (inches)	0.23		
Leakage Ratings	Diff. Pressure	EATR %	OACF
Test 1	-0.5	5	0.92
Test 2	0	0.8	1.07
Test 3	0.5	0.5	1.2
Thermal Effectiveness Ratings at 0" Pressure Differential			
	Sensible	Latent	Total
100% air Flow Heating	61	46	56
75% air Flow Heating	66	49	60
100% air Flow cooling	61	35	45
75% air Flow Cooling	66	39	49
	Net Sensible	Net Latent	Net Total
100% air Flow Heating	61	46	56
75% air Flow Heating	66	49	60
100% air Flow cooling	61	34	44
75% air Flow Cooling	66	39	49



Energy recovery component is certified by AHRI to AHRI Standard 1060. Actual performance in packaged equipment may vary.

FEATURES	
A	FORWARD CURVE, DUAL INLET IMPELLER (2)
B	DEFROST SWITCH
C	HEAT EXCHANGER CORE - SENSIBLE OR TOTAL
D	LATCH (3)
E	HINGE (3)
F	ELECTRICAL CONNECTION - HARD WIRED
G	CONTROL TERMINALS
H	
I	ELECTRICAL BOX
J	
K	
L	FILTERS (2)
M	5/8" DRAINS (2)
N	
O	DUCT COLLARS 24X12"



TITLE:		NU1824 Shop Drawing	
SIZE	DWG. NO.	REV	
A	72100	AA+	AA+
SCALE:	1:24	WEIGHT:	SHEET 1 OF 1

UNLESS OTHERWISE SPECIFIED: DIMENSIONS ARE IN INCHES TOLERANCES: ANGULAR: BEND ±1° TWO PLACE DECIMAL ±0.01 THREE PLACE DECIMAL ±0.001	NAME	DATE
PROPRIETARY AND CONFIDENTIAL THE INFORMATION CONTAINED IN THIS DRAWING IS THE SOLE PROPERTY OF NU-AIR VENTILATION SYSTEMS INCORPORATED. ANY REPRODUCTION IN PART OR AS A WHOLE WITHOUT THE WRITTEN PERMISSION OF NU-AIR VENTILATION SYSTEMS INCORPORATED IS PROHIBITED.	---	2/10/2012
MATERIAL	MODEL INFORMATION: Model Name: NU2200 General Assembly Model Revision Level: AA+	
PROJECT:	NU2200	
DO NOT SCALE DRAWING	AA	

PORT DESIGNATIONS	
1	OUTSIDE AIR / FRESH AIR FROM OUTSIDE
2	SUPPLY AIR / FRESH AIR TO SPACE
3	RETURN AIR / EXHAUST AIR FROM SPACE
4	EXHAUST AIR / EXHAUST AIR TO OUTSIDE