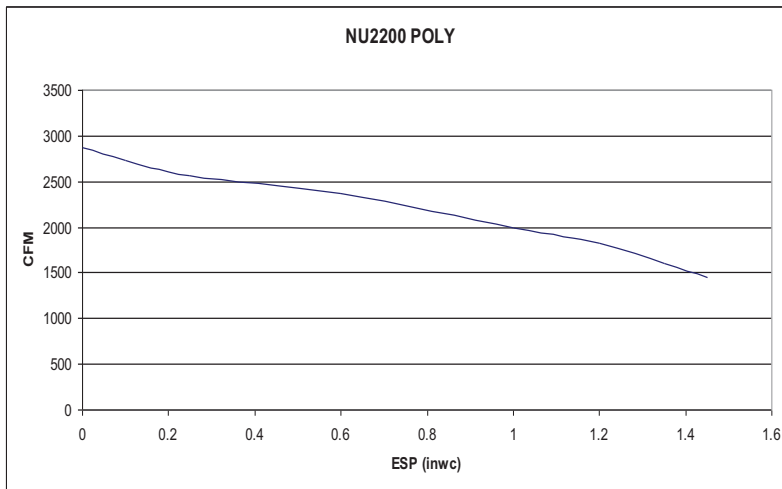


11. NU2200 HRV PRODUCT INFORMATION SHEET



CABINET: 22 ga galvanized steel with 1" foil faced fiberglass insulation. .

HEAT EXCHANGER CORE:
Polypropylene core – standard.

BLOWERS: FC DWDI 810 belt-drive.

CERTIFICATION: QPS or CSA to model code CSA SPE-1000, AHRI 1060.

NU2200 HRV	
AIR FLOW	2000cfm @ 1.0 in. w.c. 1020 l/s @ 250Pa
DUCT SIZE (W x H)	24 x 12 in. 610 x 305 mm
CORE SIZE (L x W)	24 x 24 x 28 in. 607 x 607 x 711 mm
CABINET SIZE (L x H x D)	64 X 38 X30
BLOWERS	810
Belts (2)	B36
HORSEPOWER	1.5
VOLTS: 1-Phase	208-230/1/60
VOLTS: 3-Phase	208/3/60
TOTAL FL AMPS: 1-Phase	16.8-16.4
TOTAL FL AMPS: 3-Phase	11.0
RPM/SPEEDS: 1-Phase	1725/1
RPM/SPEEDS: 3-Phase	1725/1

DEFROST METHOD:

Timed fan shut down defrost- a temperature sensor shuts down the supply fan when the outside air is cold enough to freeze condensate. The supply fan remains off for a set length of time. The supply fan resumes normal operation for a set length of time and the cycle repeats as long as the outside air temperature is below the set point. Both defrost and run cycles shall be field adjustable via the unit's control.

Temperature fan shut down defrost - The exhaust air after the core is monitored. When below freezing, a defrost cycle is activated. The supply fan shuts down while the exhaust fan continues to move warm air through the core. When the exhaust air rises above 7 °C (45 °F) the HRV reverts to exchange mode.

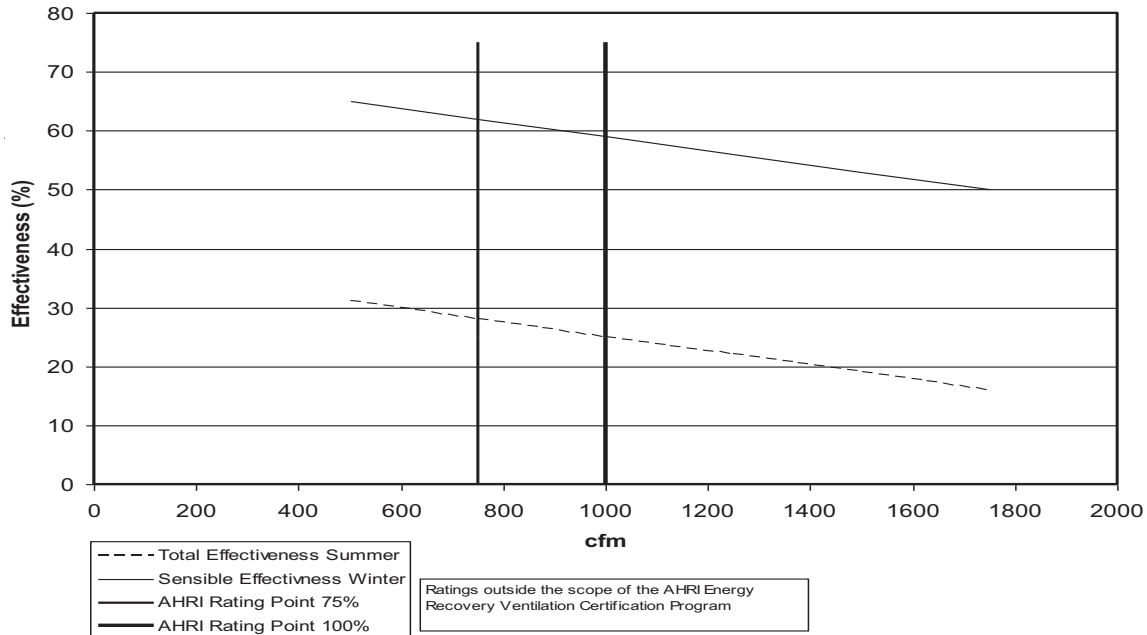
ADDITIONAL FEATURES:

- Local non-fused disconnect
- Local On-Off (single speed)
- Split motor pulley for field adjustment of fan rpm
- Drain kit included
- 208-230 V single point internal connection
- 1" pleated filters, MERV 8 – STANDARD 12"x24"x1" and 16"x24"x1"
- Two section core for easy removal & cleaning
- Base rail complete with tripping brackets

WARRANTY: Subject to applicable consumer protection legislation Nu-Air Ventilation Systems Inc. warrants that the unit will be free from defective materials and workmanship for a period of two (2) years provided installation is in accordance with the instructions. There is a 15-year warranty on plastic cores, and a 5-year warranty for polymer enthalpy cores.

Note: Nu-Air reserves the right to change specifications without notice.

NU2200 HRV EFFICIENCY



Model no.	PC 24
Type	Plate
Nominal Air Flow (scfm)	500
Pressure drop (inches)	0.18

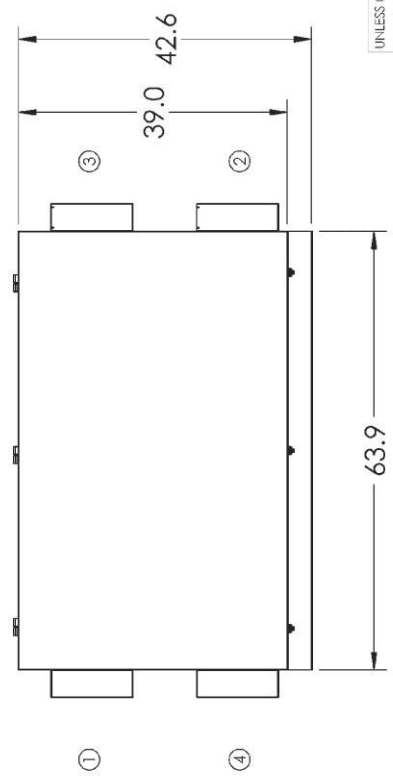
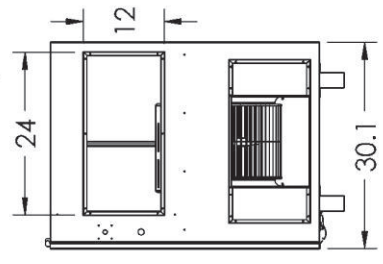
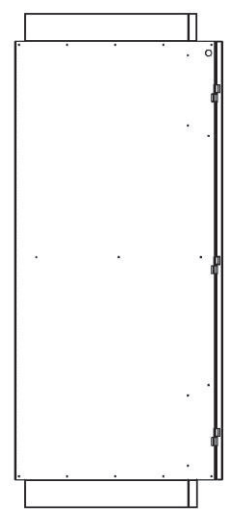
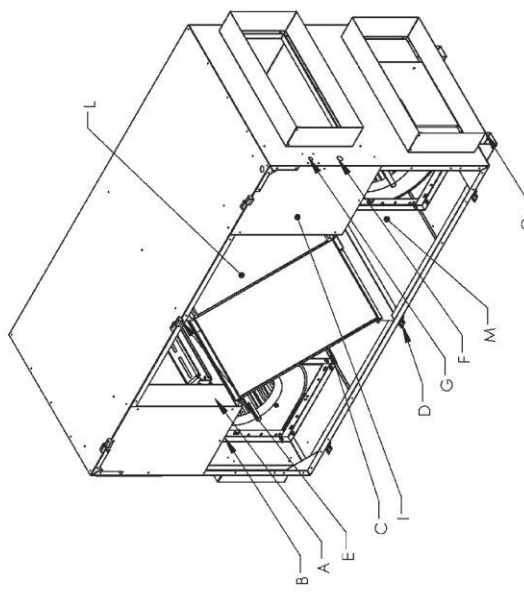


Energy recovery component is certified by AHRI to AHRI Standard 1060. Actual performance in packaged equipment may vary.

Leakage Ratings	Diff. Pressure	EATR %	OACF
Test 1	-0.5	0.00	1.00
Test 2	0	0.00	1.00
Test 3	0.5	0.00	1.00

Thermal Effectiveness Ratings at 0" Pressure Differential			
	<i>Sensible</i>	<i>Latent</i>	<i>Total</i>
100% air Flow Heating	59	0	38
75% air Flow Heating	62	0	42
100% air Flow cooling	60	0	25
75% air Flow Cooling	65	0	28
	<i>Net Sensible</i>	<i>Net Latent</i>	<i>Net Total</i>
100% air Flow Heating	59	0	38
75% air Flow Heating	62	0	42
100% air Flow cooling	60	0	25
75% air Flow Cooling	65	0	28

FEATURES	
A	FORWARD CURVE, DUAL INLET IMPELLER (2)
B	DEFROST SWITCH
C	HEAT EXCHANGER CORE - SENSIBLE OR TOTAL
D	LATCH (3)
E	HINGE (3)
F	ELECTRICAL CONNECTION - HARD WIRED
G	CONTROL TERMINALS
H	
I	ELECTRICAL BOX
J	
K	
L	FILTERS (2)
M	5/8" DRAINS (2)
N	
O	DUCT COLLARS 24X12"



PORT DESIGNATIONS	
1	OUTSIDE AIR / FRESH AIR FROM OUTSIDE
2	SUPPLY AIR / FRESH AIR TO SPACE
3	RETURN AIR / EXHAUST AIR FROM SPACE
4	EXHAUST AIR / EXHAUST AIR TO OUTSIDE

PROPRIETARY AND CONFIDENTIAL
 THE INFORMATION CONTAINED IN THIS DRAWING IS THE SOLE PROPERTY OF NU-AIR VENTILATION SYSTEMS INCORPORATED. ANY REPRODUCTION IN PART OR AS A WHOLE WITHOUT THE WRITTEN PERMISSION OF NU-AIR VENTILATION SYSTEMS INCORPORATED IS PROHIBITED.

UNLESS OTHERWISE SPECIFIED:
 DIMENSIONS ARE IN INCHES
 TOLERANCES:
 ANGULAR: BEND ±1°
 TWO PLACE DECIMAL ±0.01
 THREE PLACE DECIMAL ±0.001
 MATERIAL
 PROJECT: NU2200
 DO NOT SCALE DRAWING

MODEL INFORMATION:
 Model Name:
 NU2200 General Assembly
 Model Revision Level:
 AA+
 Drawing Revision Level:

DRAWN: ---
 NAME: ---
 DATE: 2/03/2012



NU2200 SHOP DWG

TITLE:

SIZE: A	DWG. NO.:	REV: AA+
SCALE: 1:24	WEIGHT:	SHEET 1 OF 2