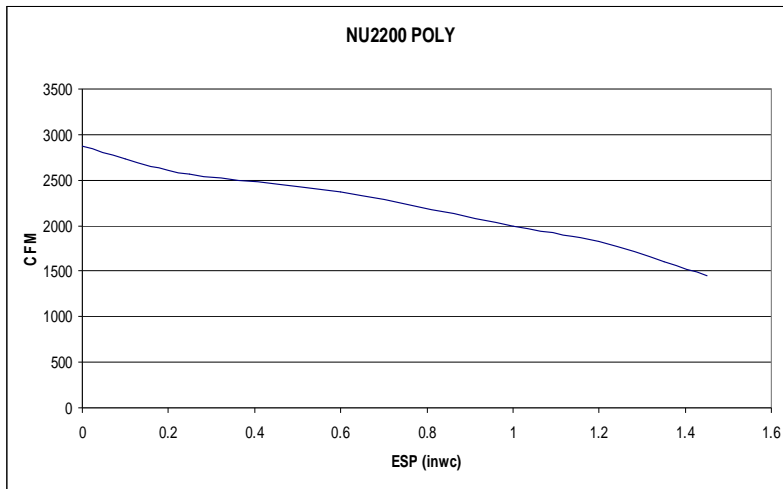


# NU2200 HRV PRODUCT INFORMATION SHEET



**CABINET:** 22 ga. galvanized steel with 1" foil faced fiberglass insulation. .

**HEAT EXCHANGER CORE:**  
Polypropylene core – standard.

**BLOWERS:** FC DWDI 810 belt-drive.

**CERTIFICATION:**  
CSA SPE-1000, AHRI 1060.

## DEFROST METHOD:

**Timed fan shut down defrost:** A temperature sensor shuts down the supply fan when the outside air is cold enough to freeze condensate. The supply fan remains off for a set length of time. The supply fan resumes normal operation for a set length of time and the cycle repeats as long as the outside air temperature is below the set point. Both defrost and run cycles are field adjustable via the unit's control.

**Temperature fan shut down defrost:** The exhaust air after the core is monitored. When below freezing, a defrost cycle is activated. The supply fan shuts down while the exhaust fan continues to move warm air through the core. When the exhaust air rises above 7 °C (45 °F) the HRV reverts to exchange mode.

## ADDITIONAL FEATURES:

- Local non-fused disconnect
- Local On-Off (single speed)
- Split motor pulley for field adjustment of fan rpm
- Drain kit included
- 208-230 V single point internal connection
- 1" pleated MERV 8 filters – STANDARD 12"x24"x1" and 16"x24"x1"
- Two section core for easy removal & cleaning
- Base rail complete with tripping brackets

## CUSTOMIZATION:

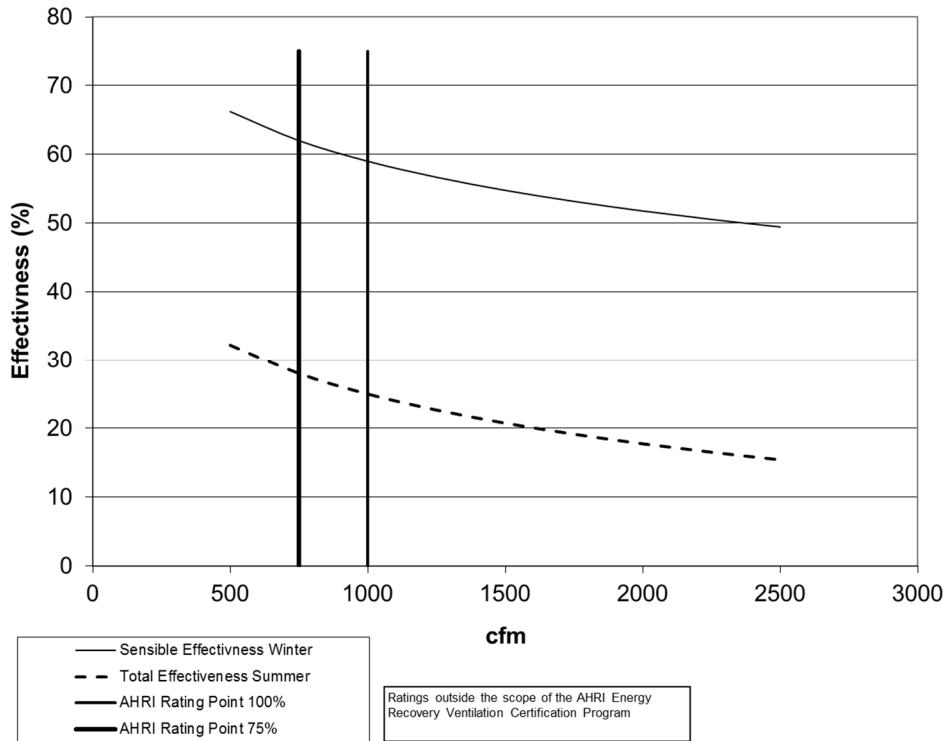
Mirror image configuration available. Specify 'Reverse Door' at time of ordering

**WARRANTY:** Subject to applicable consumer protection legislation Nu-Air Ventilation Systems Inc. warrants that the unit will be free from defective materials and workmanship for a period of two (2) years provided installation is in accordance with the instructions. There is a 15-year warranty on plastic cores, and a 5-year warranty for polymer enthalpy cores.

Note: Nu-Air reserves the right to change specifications without notice.

NU2200 HRV	
AIR FLOW	2000cfm @ 1.0 in. w.c. 1020 l/s @ 250Pa
DUCT SIZE (W x H)	24 x 12 in. 610 x 305 mm
CORE SIZE (L x W)	24 x 24 x 28 in. 607 x 607 x 711 mm
CABINET SIZE (L x H x D)	64 X 38 X30
BLOWERS	810
Belts (2)	B36
HORSEPOWER	1.5
VOLTS: 1-Phase	208-230/1/60
VOLTS: 3-Phase	208/3/60
TOTAL FL AMPS: 1-Phase	16.8-16.4
TOTAL FL AMPS: 3-Phase	11.0
RPM/SPEEDS: 1-Phase	1725/1
RPM/SPEEDS: 3-Phase	1725/1

# NU2200 HRV EFFICIENCY



<b>Model no.</b>	<b>PC 24</b>
<b>Type</b>	<b>Plate</b>
<b>Nominal Air Flow (scfm)</b>	<b>500</b>
<b>Pressure drop (inches)</b>	<b>0.18</b>

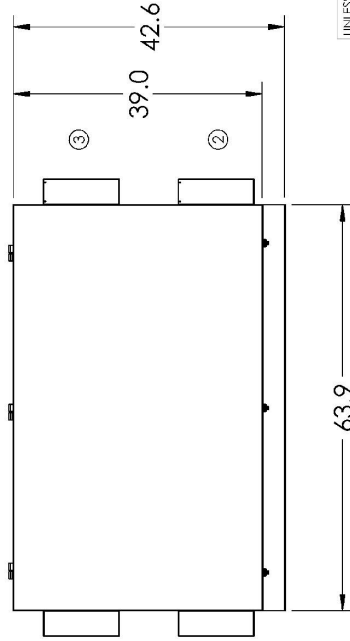
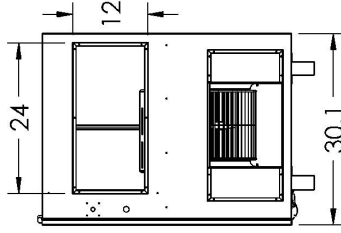
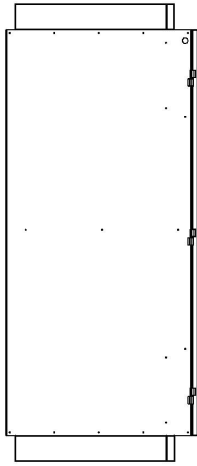
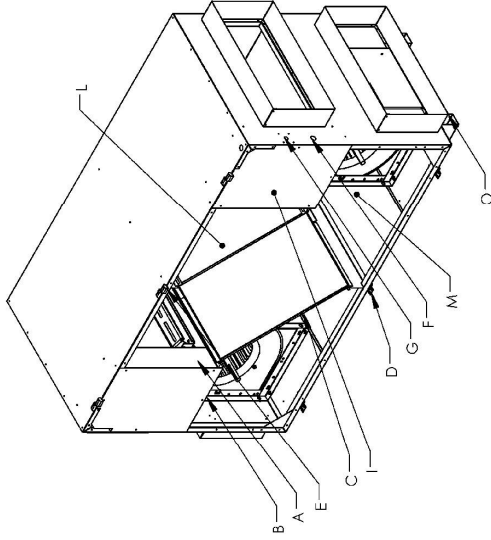


Energy recovery component is certified by AHRI to AHRI Standard 1060. Actual performance in packaged equipment may vary.

<b>Leakage Ratings</b>	<b>Diff. Pressure</b>	<b>EATR %</b>	<b>OACF</b>
<b>Test 1</b>	<b>-0.5</b>	<b>0.00</b>	<b>1.00</b>
<b>Test 2</b>	<b>0</b>	<b>0.00</b>	<b>1.00</b>
<b>Test 3</b>	<b>0.5</b>	<b>0.00</b>	<b>1.00</b>

<b>Thermal Effectiveness Ratings at 0" Pressure Differential</b>			
	<b>Sensible</b>	<b>Latent</b>	<b>Total</b>
<b>100% air Flow Heating</b>	<b>59</b>	<b>0</b>	<b>38</b>
<b>75% air Flow Heating</b>	<b>62</b>	<b>0</b>	<b>42</b>
<b>100% air Flow cooling</b>	<b>60</b>	<b>0</b>	<b>25</b>
<b>75% air Flow Cooling</b>	<b>65</b>	<b>0</b>	<b>28</b>
	<b>Net Sensible</b>	<b>Net Latent</b>	<b>Net Total</b>
<b>100% air Flow Heating</b>	<b>59</b>	<b>0</b>	<b>38</b>
<b>75% air Flow Heating</b>	<b>62</b>	<b>0</b>	<b>42</b>
<b>100% air Flow cooling</b>	<b>60</b>	<b>0</b>	<b>25</b>
<b>75% air Flow Cooling</b>	<b>65</b>	<b>0</b>	<b>28</b>

FEATURES	
A	FORWARD CURVE, DUAL INLET IMPELLER (2)
B	DEFROST SWITCH
C	HEAT EXCHANGER CORE - SENSIBLE OR TOTAL
D	LATCH (3)
E	HINGE (3)
F	ELECTRICAL CONNECTION - HARD WIRED
G	CONTROL TERMINALS
H	
I	ELECTRICAL BOX
J	
K	
L	FILTERS (2)
M	5/8" DRAINS (2)
N	
O	DUCT COLLARS 24X12"



TITLE:		NUJ1824 Shop Drawing	
SIZE	DWG. NO.	REV	
A	72100	AA+	AA+
SCALE:	1:24	WEIGHT:	SHEET 1 OF 1

UNLESS OTHERWISE SPECIFIED: DIMENSIONS ARE IN INCHES	NAME	DATE
TOLERANCES: ANGULAR: BEND ±1° TWO PLACE DECIMAL ±0.01 THREE PLACE DECIMAL ±0.001	---	21/03/2012
MATERIAL	MODEL INFORMATION:	
PROJECT: NUJ2200	Model Name: NUJ2200 General Assembly	
DO NOT SCALE DRAWING	Model Revision Level: AA+	
	Drawing Revision Level: AA	

PROPRIETARY AND CONFIDENTIAL  
THE INFORMATION CONTAINED IN THIS DRAWING IS THE SOLE PROPERTY OF NU-AIR VENTILATION SYSTEMS INCORPORATED. ANY REPRODUCTION IN PART OR AS A WHOLE WITHOUT THE WRITTEN PERMISSION OF NU-AIR VENTILATION SYSTEMS INCORPORATED IS PROHIBITED.

PORT DESIGNATIONS	
1	OUTSIDE AIR / FRESH AIR FROM OUTSIDE
2	SUPPLY AIR / FRESH AIR TO SPACE
3	RETURN AIR / EXHAUST AIR FROM SPACE
4	EXHAUST AIR / EXHAUST AIR TO OUTSIDE