

# NU2200ERV PRODUCT INFORMATION SHEET

## CORE

Enthalpy crossflow core. 2 sections.  
Nu-Air part #50571 x 2.  
Dimensions: 24”L x 24”W x 28”H.

## ELECTRICAL OPTIONS

208-230 Single Phase, 60Hz. Total FLA 16.8-16.4.  
208 Three Phase, 60Hz. Total FLA 11.  
Single point power connection.

## MOTORS

2 x 1.5HP single speed, belt drive motors. 1725 RPM.  
208-230/1 motors - Nu-Air Part #50120.  
208/3 motors – Nu-Air Part #50501.  
Split motor pulley for field adjustment of fan RPM.  
Motor pulley – Nu-Air part #50083.

## BLOWERS

2 x DWDI 810 belt drive blowers. Nu-Air Part #50071.  
Standard airflow belt size: B38. Nu-Air Part #B38.  
Blower pulley – Nu-Air part #50127.  
*\*If factory set to lower airflow, contact factory for belt & Pulley sizes.*

## CONFIGURATION

Available in standard ‘C’ or reverse ‘G’ configuration.  
See drawings.

## CABINET

The case is constructed of 22 Ga galvanized steel that is fully insulated with 1” foil faced fiberglass insulation.  
Drain connections: 3/4”(2). Nu-Air drain fitting part #50249.  
Cabinet Dimensions: 64”L x 38”H x 30”W.  
Duct connections: 24” x 12”.

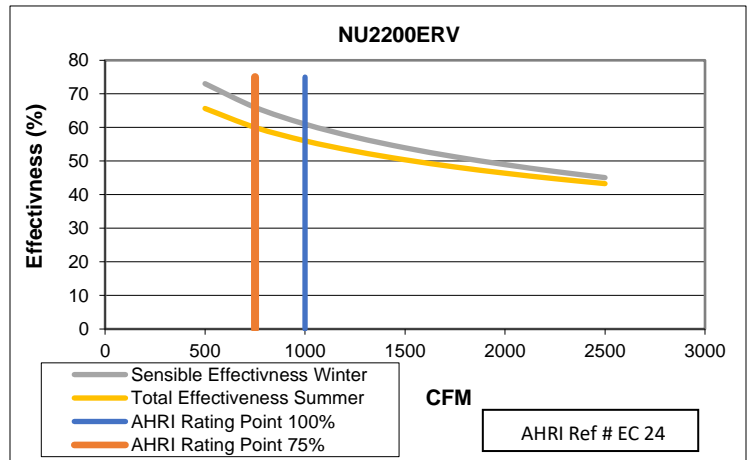
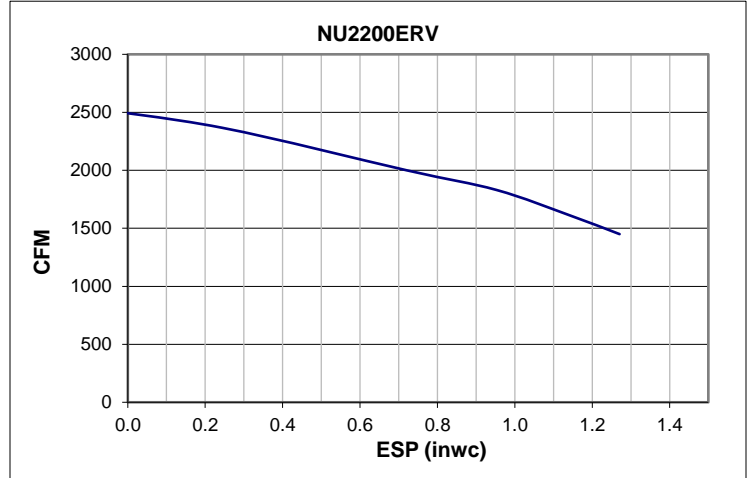
## DEFROST METHOD

Model **NU2200FL** – Supply fan shuts down while exhaust air defrosts core.

## FILTERS

2 Filters @ 12” x 24” x 1” & 2 Filters @ 16” x 24” x 1”.  
1” pleated MERV8 filters in supply and exhaust airstreams.  
MERV13 filter upgrade available upon request.  
Dirty filter contacts available upon request.

Filter	Type	Part #'s	Qty
MERV8	1” Pleated	50016 & 50410	2 Each
MERV13	1” Pleated	50809 & 50808	2 Each



## ADDITIONAL FEATURES

- Local non-fused disconnect switch.
- Local on-off switch.
- Base rail complete with tripping brackets.

**WEIGHT** –400lbs/181.4kg

**SHIPPING WEIGHT** - 450lbs/204kg

## CONTROL OPTIONS

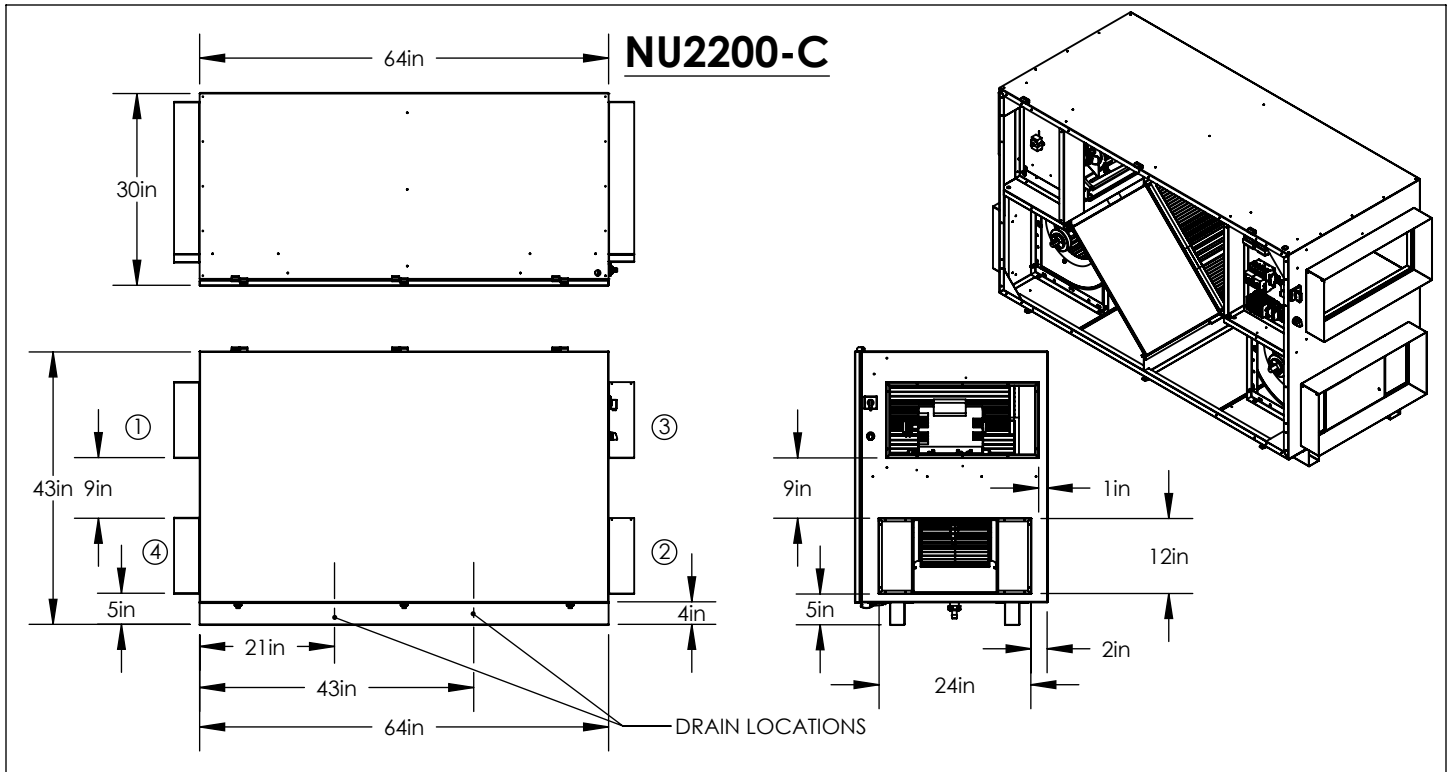
### 24 V controls available

- Dstat-1** – On/Off function only.
- 50395** – Intermatic 7 day programmable timer.
- Any dry contact switch** – By Others.

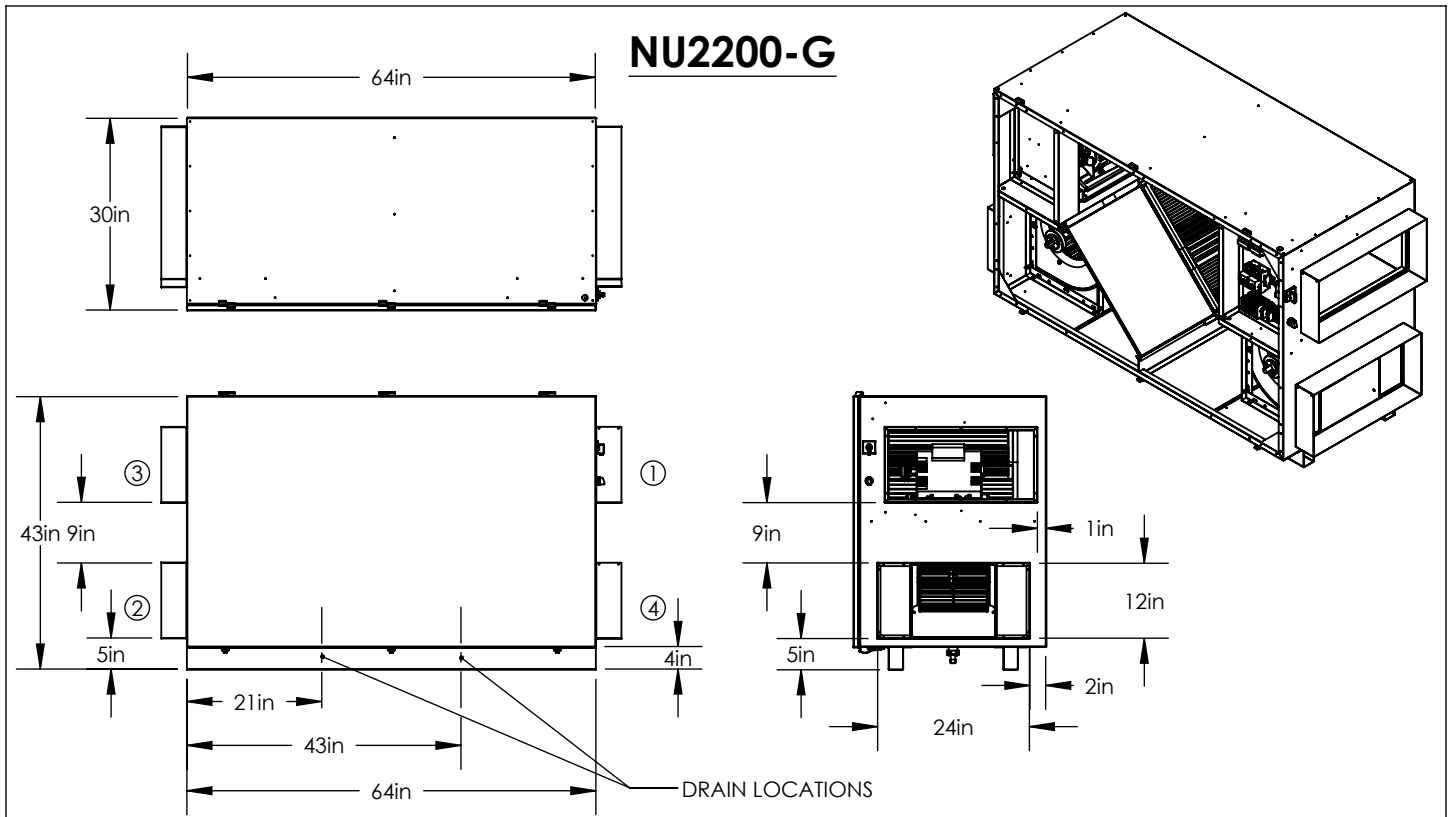
**WARRANTY** - Provided installation is in accordance with instruction, 5 year warranty on the ERV core and a 2 year warranty on replacement parts.

Distributed by:

# NU2200 CONFIGURATION DRAWINGS



1 - OUTSIDE AIR / FRESH AIR FROM OUTSIDE	2 - SUPPLY AIR / FRESH AIR TO SPACE	3 - RETURN AIR / EXHAUST AIR FROM SPACE	4 - EXHAUST AIR / EXHAUST AIR TO OUTSIDE
--	-------------------------------------	---	--



In the interest of product improvement, Nu-Air reserves the right to change specifications without notice.