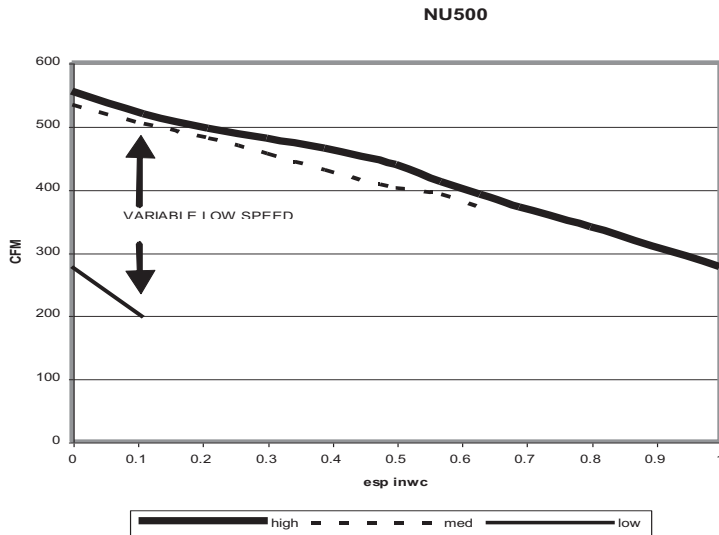


2. NU500 HRV PRODUCT INFORMATION SHEET



CABINET: The case is constructed of .050 pre-painted white aluminum. The cabinet is fully insulated with 1" foil faced fiberglass insulation.

HEAT EXCHANGER CORE:

Polypropylene core - standard.

BLOWERS: Two forward curve, dual inlet impellers using permanently sealed bearings.

CERTIFICATION: CSA C22.2, AHRI 1060.

DEFROST METHODS:

Damper Defrost- Outside air temperature is continuously monitored. When below freezing, a timed defrost cycle is activated. A damper closes the fresh air from outside port and opens a fifth port which brings warm air through the core for a predefined time cycle. Following this the HRV runs normally for a set time. The cycle is repeated until the outdoor air rises above freezing.

Temperature fan shut down defrost - The exhaust air after the core is monitored. When below freezing, a defrost cycle is activated.

The supply fan shuts down while the exhaust fan continues to move warm air through the core. When the exhaust air rises above 7 °C (45 °F) the HRV reverts to exchange mode

FEATURES:

- 115 V 4' corded plug
- 24V contacts for Hi/Lo Switching, by remote controls of sensors
- Furnace interlock relay
- Adjustable Defrost timing
- Drain and anti-vibration hanger kit included
- Polyester air filters included 13.5"x14"x0.5"
- Optional Internal Dehumidistat

12 VDC **AND/OR** 24 V connection for remote control with mechanical switch or the following Nu-Air controls

Digital controls available	24 V controls available
ES-DVC ES-M1: Off/ Stand-by / Lo/ Hi ES-M2: Off/ Stand-by / Lo/ 20 Lo-40 Stby ES-T1: 20-40-60-minute timer	Any Switch DSTAT-1: Humidity control Win-1: Humidity control/ OFF/ STBY/ Continuous/ Intermittent/ Full-time high speed WIN-20: 20-minute timer (up to 6)

WARRANTY:

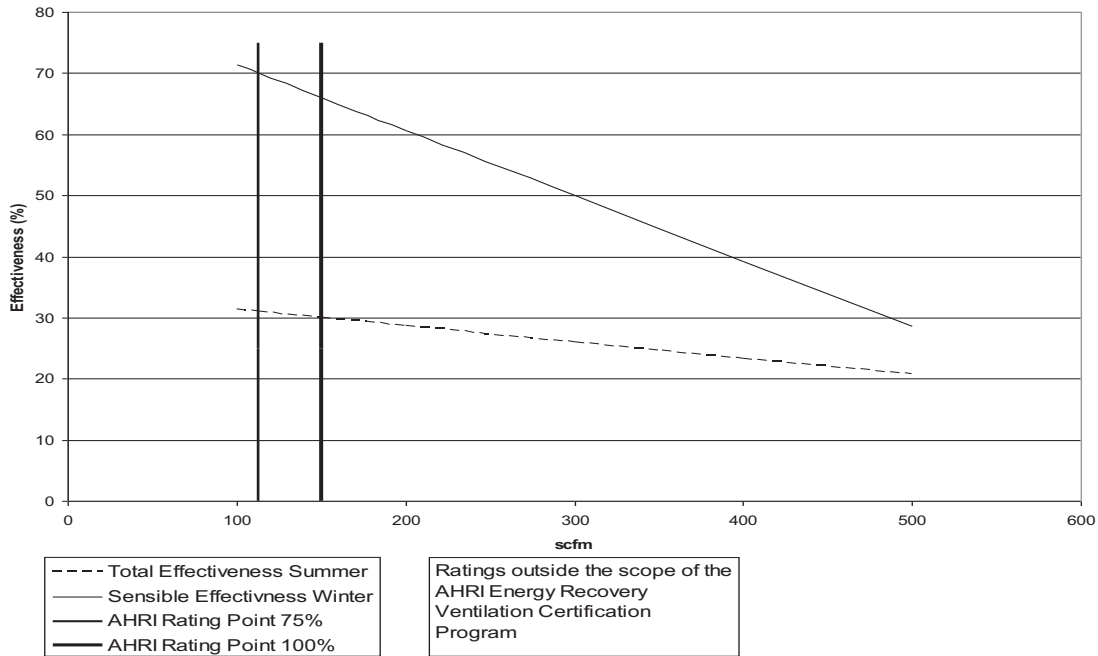
Subject to applicable consumer protection legislation Nu-Air Ventilation Systems Inc. warrants that the unit will be free from defective materials and workmanship for a period of two (2) years provided installation is in accordance with the instructions. There is a 15-year warranty on plastic cores, and a 5-year warranty for polymer enthalpy cores.

Note: Nu-Air reserves the right to change specifications without notice.

Revised: January 8, 2013

AIR FLOW	460 cfm @ 0.4 in. w.c. 216 l/s @ 100 Pa
DUCT SIZE	10 x 6 in. 254 x 152 mm
CORE SIZE (L x W x D)	14 x 14 x 14 in. 356 x 356 x 356 mm
CABINET SIZE (L x H x D)	36 x 23 x 17 in. 914 x 584 x 432 mm
BLOWERS	RF4C
WATTS	500
VOLTS	115
Total F.L. Amps	4.5
RPM/SPEEDS	1275/2 speed

NU500 HRV EFFICIENCY



Model no.	PC 14
Type	Plate
Nominal Air Flow (scfm)	150
Pressure drop (inches)	0.19

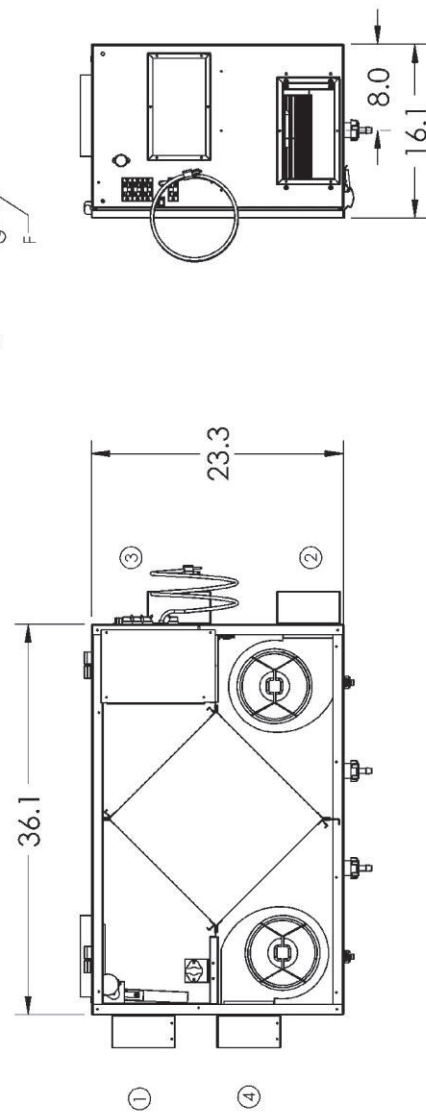
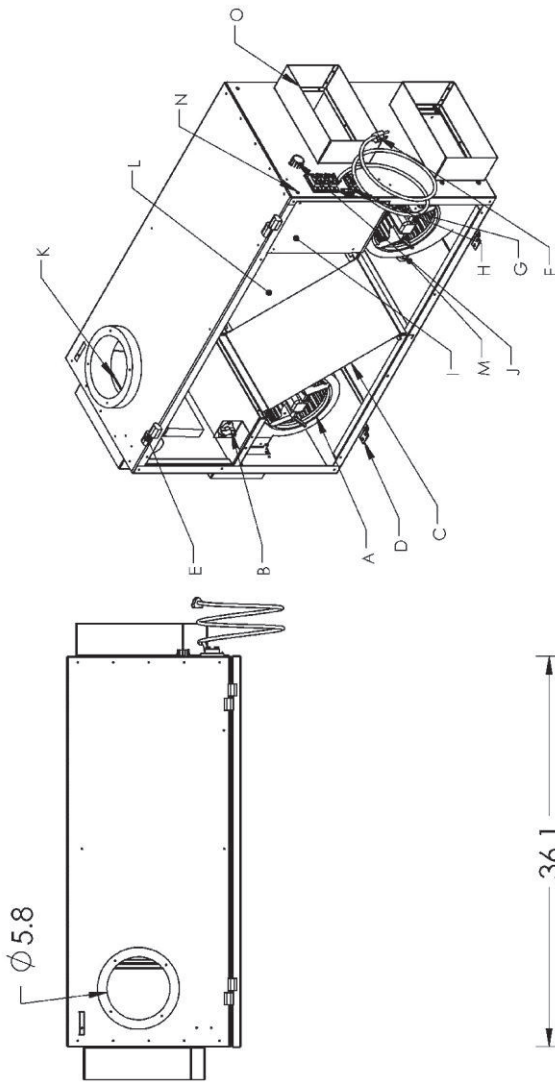


Energy recovery component is certified by AHRI to AHRI Standard 1060. Actual performance in packaged equipment may vary.

Leakage Ratings	Diff. Pressure	EATR %	OACF
Test 1	-0.5	0.00	1.00
Test 2	0	0.00	1.00
Test 3	0.5	0.00	1.00

Thermal Effectiveness Ratings at 0" Pressure Differential			
	Sensible	Latent	Total
100% air Flow Heating	66	0	43
75% air Flow Heating	70	0	46
100% air Flow cooling	64	0	30
75% air Flow Cooling	69	0	31
	Net Sensible	Net Latent	Net Total
100% air Flow Heating	66	0	43
75% air Flow Heating	70	0	46
100% air Flow cooling	64	0	30
75% air Flow Cooling	69	0	31

FEATURES	
A	FORWARD CURVE, DUAL INLET IMPELLER (2)
B	DEFROST SWITCH
C	HEAT EXCHANGER CORE - SENSIBLE OR TOTAL
D	LATCH (2)
E	HINGE (2)
F	ELECTRICAL CONNECTION - CORD
G	CONTROL TERMINALS
H	FURNACE INTERLOCK
I	ELECTRICAL BOX
J	BUILT IN DEHUMIDISTAT (OPTIONAL)
K	DEFROST AIR DAMPER AND COLLAR (6") - OPTIONAL
L	FILTERS (2)
M	5/8" DRAINS (2)
N	HANGER MOUNTS (4)
O	DUCT COLLARS 10X6



TITLE:		NU500 Shop Dwg	
SIZE	DWG. NO.	REV	
A	71100	AC	
SCALE: 1:1.6		WEIGHT:	
		SHEET 1 OF 2	

DRAWN	NAME	DATE
---	---	16/03/2012
UNLESS OTHERWISE SPECIFIED: DIMENSIONS ARE IN INCHES TOLERANCES: ANGULAR: BEND ±1° TWO PLACE DECIMAL ±0.01 THREE PLACE DECIMAL ±0.001		
MODEL INFORMATION: Model Name: 500D Model Revision Level: AC Drawing Revision Level: ---		
MATERIAL		
PROJECT: NU500		
DO NOT SCALE DRAWING		

PROPRIETARY AND CONFIDENTIAL
THE INFORMATION CONTAINED IN THIS DRAWING IS THE SOLE PROPERTY OF NU-AIR VENTILATION SYSTEMS INCORPORATED. ANY REPRODUCTION IN PART OR AS A WHOLE WITHOUT THE WRITTEN PERMISSION OF NU-AIR VENTILATION SYSTEMS INCORPORATED IS PROHIBITED.

PORT DESIGNATIONS	
1	OUTSIDE AIR / FRESH AIR FROM OUTSIDE
2	SUPPLY AIR / FRESH AIR TO SPACE
3	RETURN AIR / EXHAUST AIR FROM SPACE
4	EXHAUST AIR / EXHAUST AIR TO OUTSIDE
5	DEFROST AIR