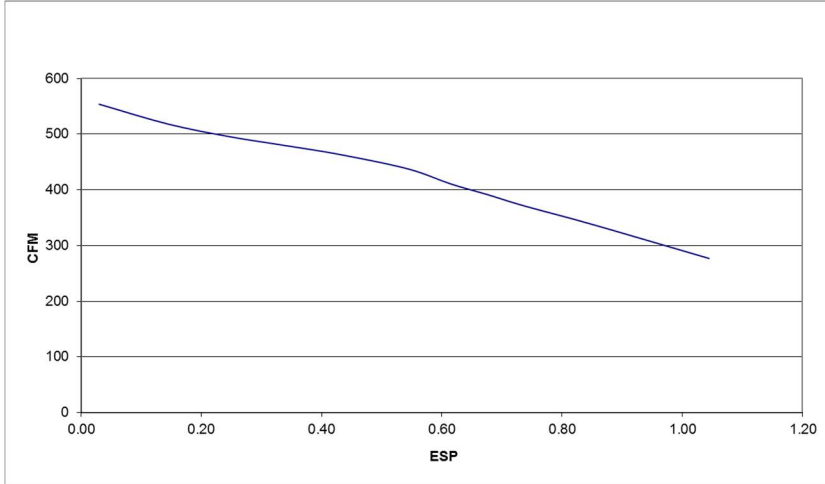


NU500 ERV PRODUCT INFORMATION SHEET



APPROVALS:

Conforms to UL Std 1812 Certified to CSA Std C22.2 No. 113



Intertek

CABINET: The

case is constructed of .050 pre-painted white aluminum. The cabinet is fully insulated with 1" foil faced fiberglass insulation.

HEAT EXCHANGER CORE:

Enthalpy.

BLOWERS: Two forward curve, dual inlet impellers using permanently sealed bearings.

DEFROST OPTIONS

Circulation Defrost: When outdoor temperature is below -5° C (23° F), a defrost cycle is initiated for a fixed duration. The fresh air motor will run and the exhaust air motor will shut down. A damper will shut off the cold supply port, directing ambient air through the core for defrosting. The unit will resume normal operation for a fixed duration, then the processor will read outdoor temperature and initiate defrost as necessary. Defrost times and intervals will vary according to temperature below -5° C (23° F). **NOTE:** *In circulation defrost mode, this unit will not induce indoor negative pressure nor recycle exhaust air; rather it will redistribute ambient room air.*

Timed fan shut down defrost - The outside air before the core is monitored. When below freezing, a defrost cycle is activated. The supply fan shuts down while the exhaust fan continues to move warm air through the core. After a predefined temperature based time cycle, the HRV reverts to exchange mode

AIR FLOW	438 cfm @ 0.5 in. w.c. 207 l/s @ 125 Pa
DUCT SIZE	10 x 6 in. 254 x 152 mm
CORE SIZE (L x W x D)	14 x 14 x 14 in. 356 x 356 x 356 mm
CABINET SIZE (L x H x D)	36 x 23 x 17 in. 914 x 584 x 432 mm
BLOWERS	RF4C
WATTS	500
VOLTS	115
Total F.L. Amps	4.5
RPM/SPEEDS	1275/2 speed
WEIGHT	55lb (25 kg)

ADDITIONAL FEATURES:

- Fan interlock options: interlocks in Hi and Lo speeds or Hi speed only.
- Intelligent defrost adjusts to outdoor conditions below -5° C (23° F)
- Independent speed adjustment of either supply or exhaust motor in BOTH high and low speed
- 24V circuit protection with self-resetting fuse
- Drain, hanger kit, MERV filter 13.5"x14"x0.5"

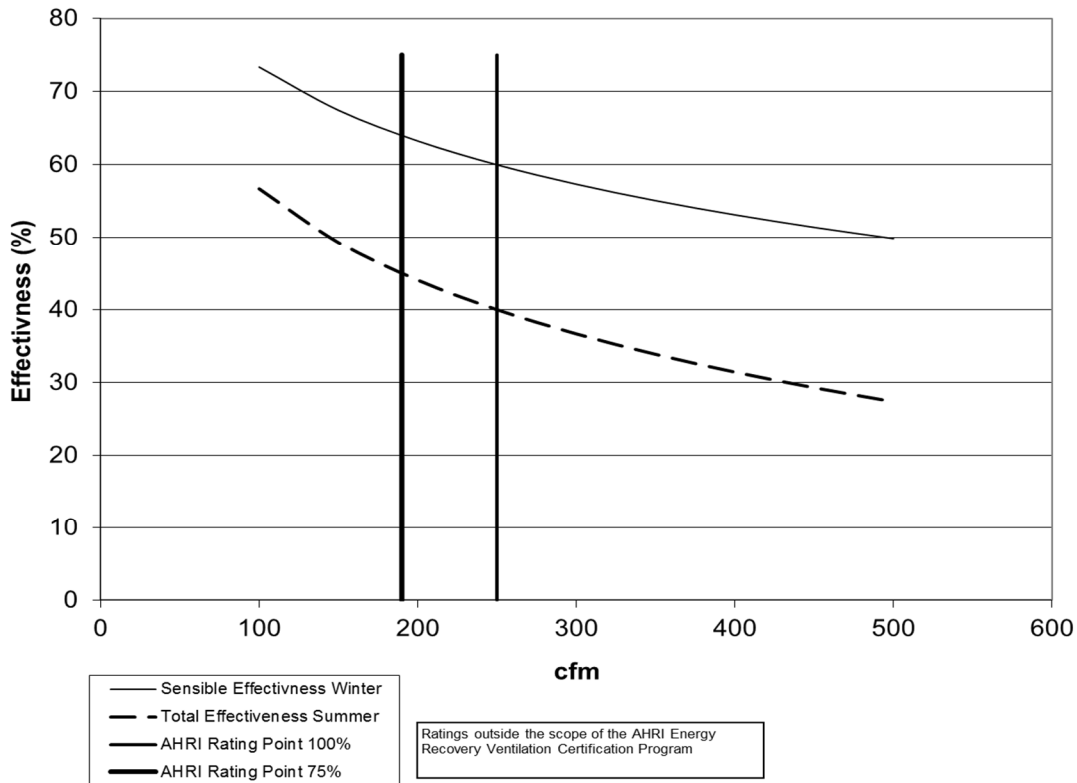
12 VDC **AND/OR** 24 V connection for remote control with mechanical switch or the following Nu-Air controls:

Digital controls available	24 V controls available
Lumina digital control with dehumidistat, timer functions and filter change indicator ES-M1: Off/ Stand-by / Lo/ Hi ES-M2: Off/ Stand-by / Lo/ 20 Lo-40 Stby ES-M3: Off/ Stand-by / Lo/ 20 Lo-40 Recirculation ES-M4: Off/Stand-by/Recirculation ES-T1: 20-40-60-minute timer	Any Dry Contact Switch DSTAT-1: Humidity control Win-1: Humidity control/ OFF/ STBY/ Continuous/ Intermittent/ Full-time high speed WIN-20: 20-minute timer (up to 6)

WARRANTY:

Subject to applicable consumer protection legislation Nu-Air Ventilation Systems Inc. warrants that the unit will be free from defective materials and workmanship for a period of two (2) years provided installation is in accordance with the instructions. There is a 15-year warranty on plastic cores, and a 5-year warranty for polymer enthalpy cores.

NU500 ERV Efficiency

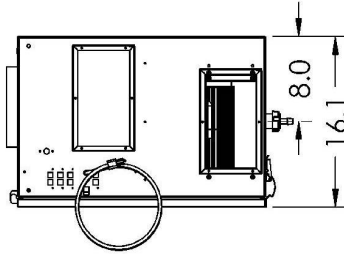
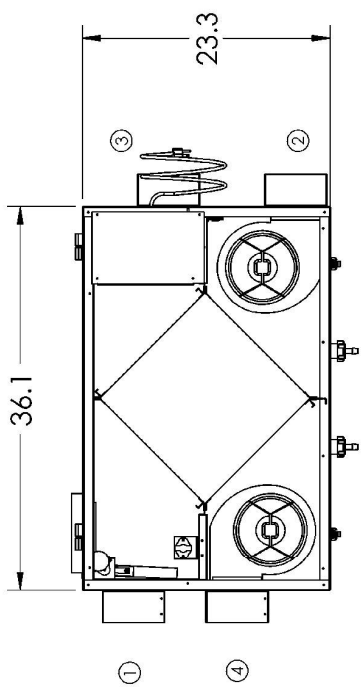
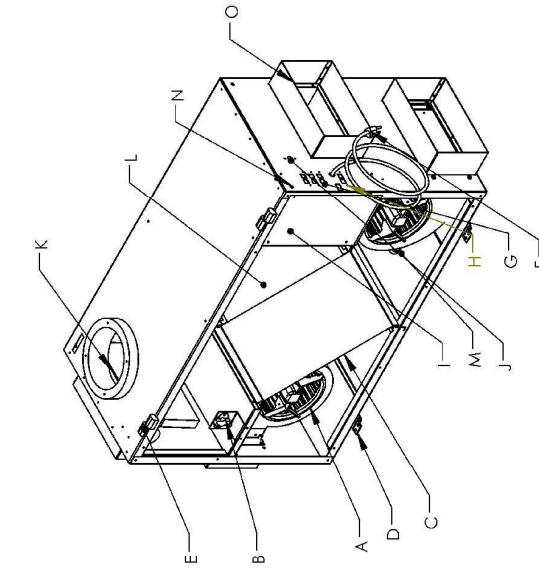


Model no.	EC-14		
Type	Plate		
Nominal Air Flow (scfm)	250		
Pressure drop (inches)	0.27		
Leakage Ratings	Diff. Pressure	EATR %	OACF
Test 1	-0.5	5	0.92
Test 2	0	0.8	1.07
Test 3	0.5	0.5	1.2
Thermal Effectiveness Ratings at 0" Pressure Differential			
	Sensible	Latent	Total
100% air Flow Heating	60	39	53
75% air Flow Heating	64	44	57
100% air Flow cooling	60	27	40
75% air Flow Cooling	65	33	45
	Net Sensible	Net Latent	Net Total
100% air Flow Heating	60	39	52
75% air Flow Heating	64	44	57
100% air Flow cooling	60	26	39
75% air Flow Cooling	65	32	45



Energy recovery component is certified by AHRI to AHRI Standard 1060. Actual performance in packaged equipment may vary.

FEATURES	
A	FORWARD CURVE, DUAL INLET IMPELLER (2)
B	DEFROST SWITCH
C	HEAT EXCHANGER CORE - SENSIBLE OR TOTAL
D	LATCH (2)
E	HINGE (2)
F	ELECTRICAL CONNECTION - CORD
G	CONTROL TERMINALS
H	FURNACE INTERLOCK
I	ELECTRICAL BOX
J	DEFROST AIR DAMPER AND COLLAR (6") - OPTIONAL
L	FILTERS (2)
M	5/8" DRAINS (2)
N	HANGER MOUNTS (4)
O	DUCT COLLARS 10X6



DEFROST OPTIONS:

F - FAN SHUT DOWN, EXHAUST ONLY, TEMPERATURE ACTIVATED, TIMED CYCLE. FOR MODERATE WINTER TEMPERATURES WHERE SOME NEGATIVE BUILDING PRESSURE IS ACCEPTABLE.

D - CIRCULATION DEFROST, NO EXHAUST, CIRCULATION OF ROOM AIR, TEMPERATURE ACTIVATED, TIMED CYCLE. FOR COLD WINTER TEMPERATURES AND/OR WHERE BUILDING PRESSURE MUST REMAIN NEUTRAL.

IN BOTH CASES THE TIME CYCLE IS PROPORTIONAL TO OUTSIDE AIR TEMPERATURE



TITLE:

NU0305 SHOP DWG

NAME	DATE
---	16/05/2012

UNLESS OTHERWISE SPECIFIED:
 DIMENSIONS ARE IN INCHES
 TOLERANCES:
 ANGULAR: BEND ±1°
 TWO PLACE DECIMAL ±0.01
 THREE PLACE DECIMAL ±0.001
 MATERIAL

PROPRIETARY AND CONFIDENTIAL
 THE INFORMATION CONTAINED IN THIS DRAWING IS THE SOLE PROPERTY OF NU-AIR VENTILATION SYSTEMS INCORPORATED. ANY REPRODUCTION IN PART OR AS A WHOLE WITHOUT THE WRITTEN PERMISSION OF NU-AIR VENTILATION SYSTEMS INCORPORATED IS PROHIBITED.

PORT DESIGNATIONS	
1	OUTSIDE AIR / FRESH AIR FROM OUTSIDE
2	SUPPLY AIR / FRESH AIR TO SPACE
3	RETURN AIR / EXHAUST AIR FROM SPACE
4	EXHAUST AIR / EXHAUST AIR TO OUTSIDE
5	DEFROST AIR

MODEL INFORMATION:
 Model Name:
 500D
 Model Revision Level:
 A/D
 Drawing Revision Level:
 AA

PROJECT: NU500
 DO NOT SCALE DRAWING

SIZE	DWG. NO.	REV
A	71100	AD

SCALE: 1:16 WEIGHT: SHEET 1 OF 2