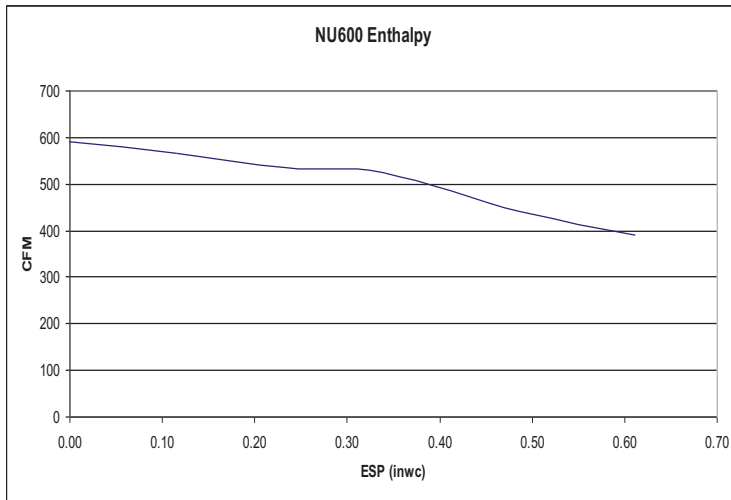


## 4. NU600 ERV PRODUCT INFORMATION SHEET



**DEFROST METHODS:**

*Damper Defrost-* Outside air temperature is continuously monitored. When below freezing, a timed defrost cycle is activated. A damper closes the fresh air from outside port and opens a fifth port which brings warm air through the core for a predefined time cycle. Following this the HRV runs normally for a set time. The cycle is repeated until the outdoor air rises above freezing.

*Temperature fan shut down defrost* - The exhaust air after the core is monitored. When below freezing, a defrost cycle is activated. The supply fan shuts down while the exhaust fan continues to move warm air through the core. When the exhaust air rises above 7 °C (45 °F) the HRV reverts to exchange mode.

**FEATURES:**

- 24V contacts for Hi/Lo Switching, by remote controls of sensors
- Furnace interlock relay
- Adjustable Defrost timing
- Drain and anti-vibration hanger kit included
- 1” pleated filters, MERV 8 – STANDARD 16”x20”x1
- Optional Internal Dehumidistat

12 VDC **AND/OR** 24 V connection for remote control with mechanical switch or the following Nu-Air controls

Digital controls available	24 V controls available
<b>ES-DVC</b>	Any Switch
<b>ES-M1:</b> Off/ Stand-by / Lo/ Hi	<b>DSTAT-1:</b> Humidity control
<b>ES-M2:</b> Off/ Stand-by / Lo/ 20 Lo-40 Stby	<b>Win-1:</b> Humidity control/ OFF/ STBY/ Continuous/ Intermittent/ Full-time high speed
<b>ES-T1:</b> 20-40-60-minute timer	<b>WIN-20:</b> 20-minute timer (up to 6)

**CABINET** .050 pre-painted white aluminum with 1” foil faced fiberglass insulation.

**ENERGY RECOVERY CORE:** Polymer membrane enthalpy core – standard.

**BLOWERS:** Forward curve dual inlet centrifugal blowers.

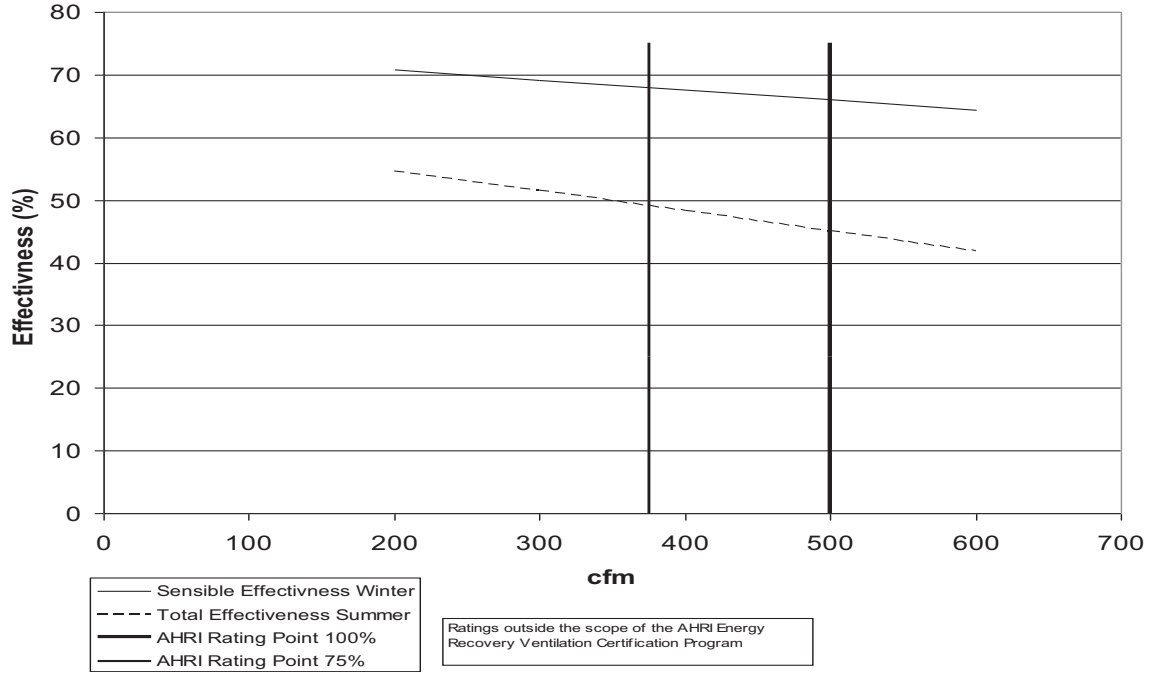
**CERTIFICATION:** CSA C22.2, AHRI 1060.

NU600 ERV	
AIR FLOW	440 cfm @ 0.49 in. w.c. 207.7 l/s @ 122.5 Pa
DUCT SIZE (W x H)	14 x 8 in. 356 x 203 mm
CORE SIZE (Lx W x D)	17.5 x 17.5 x 21 in. 444 x 444 x 520 mm
CABINET SIZE (L x H x D)	42 x 30 x 23 in. 1067 x 762 x 584 mm
BLOWERS	RF4C
WATTS	500
VOLTS	115
TOTAL FL AMPS	4.5
RPM/SPEEDS	1275/2

**WARRANTY:** Subject to applicable consumer protection legislation Nu-Air Ventilation Systems Inc. warrants that the unit will be free from defective materials and workmanship for a period of two (2) years provided installation is in accordance with the instructions. There is a 15-year warranty on plastic cores, and a 5-year warranty for polymer enthalpy cores.

Note: Nu-Air reserves the right to change specifications without notice.

**NU600ERV EFFICIENCY**



Model no.	EXC-17S-20H-250
Type	Plate
Nominal Air Flow (scfm)	550
Pressure drop (inches)	0.35

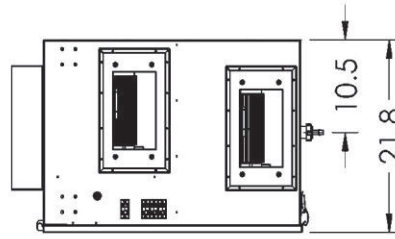
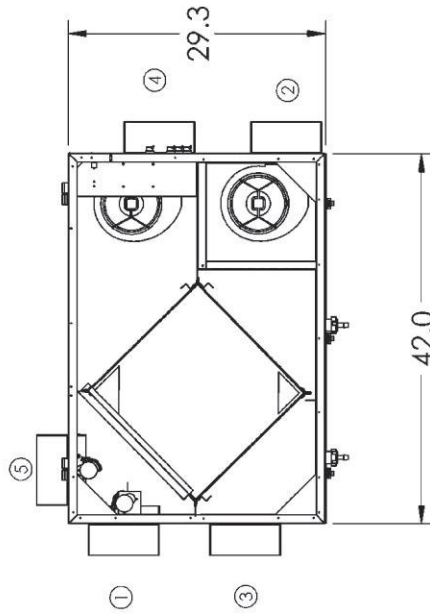
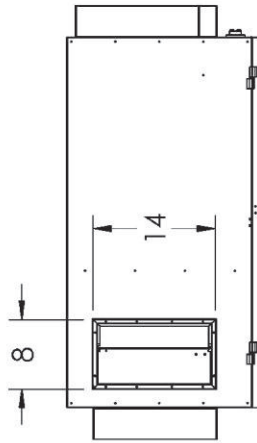
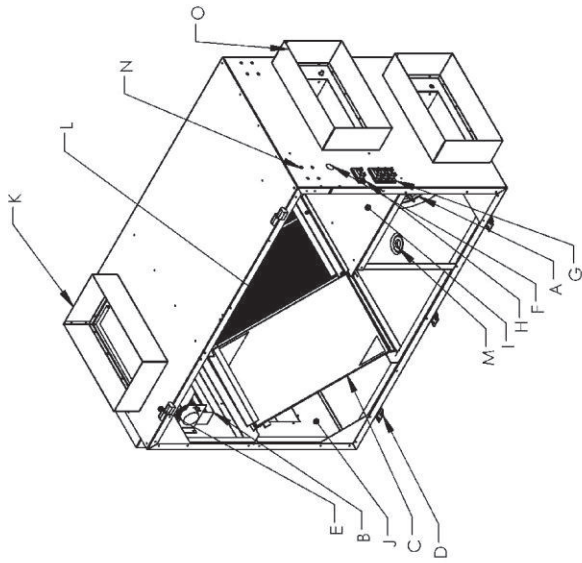


Energy recovery component is certified by AHRI to AHRI Standard 1060. Actual performance in packaged equipment may vary.

<b>Thermal Effectiveness Ratings at 0" Pressure Differential</b>			
	<i>Sensible</i>	<i>Latent</i>	<i>Total</i>
<i>100% air Flow Heating</i>	66	30	54
<i>75% air Flow Heating</i>	68	32	56
<i>100% air Flow cooling</i>	80	24	45
<i>75% air Flow Cooling</i>	82	28	49
	<i>Net Sensible</i>	<i>Net Latent</i>	<i>Net Total</i>
<i>100% air Flow Heating</i>	66	30	54
<i>75% air Flow Heating</i>	68	32	56
<i>100% air Flow cooling</i>	80	24	45
<i>75% air Flow Cooling</i>	82	28	49

<b>Leakage Ratings</b>	<b>Diff. Pressure</b>	<b>EATR %</b>	<b>OACF</b>
Test 1	-0.5	0.00	1.00
Test 2	0	0.00	1.00
Test 3	0.5	0.00	1.00

FEATURES	
A	FORWARD CURVE, DUAL INLET IMPELLER (2)
B	DEFROST SWITCH
C	HEAT EXCHANGER CORE - SENSIBLE OR TOTAL
D	LATCH (3)
E	HINGE (3)
F	ELECTRICAL CONNECTION - HARD WIRRED
G	CONTROL TERMINALS
H	FURNACE INTERLOCK
I	ELECTRICAL BOX
J	BUILT IN DEHUMIDISTAT (OPTIONAL)
K	DEFROST AIR DAMPER AND COLLAR - OPTIONAL
L	FILTERS (2)
M	5/8" DRAINS (2)
N	HANGER MOUNTS (4)
O	DUCT COLLARS 14X8



**nu-air**  
Sustainability Through Innovation

TITLE:

NU600 SHOP DWG

NAME	DATE
---	16/03/2012

UNLESS OTHERWISE SPECIFIED:  
DIMENSIONS ARE IN INCHES  
TOLERANCES:  
ANGULAR: BEND ±1°  
TWO PLACE DECIMAL ±0.01  
THREE PLACE DECIMAL ±0.001

MODEL INFORMATION:  
Model Name:  
NU600  
Model Revision Level:  
A D  
Drawing Revision Level:  
AA

MATERIAL  
PROJECT: NU600  
DO NOT SCALE DRAWING

PROPRIETARY AND CONFIDENTIAL  
THE INFORMATION CONTAINED IN THIS  
DRAWING IS THE SOLE PROPERTY OF  
NU-AIR VENTILATION SYSTEMS INCORPORATED  
ANY REPRODUCTION IN PART OR AS A WHOLE  
WITHOUT THE WRITTEN PERMISSION OF  
NU-AIR VENTILATION SYSTEMS INCORPORATED  
IS PROHIBITED.

PORT DESIGNATIONS	
1	OUTSIDE AIR / FRESH AIR FROM OUTSIDE
2	SUPPLY AIR / FRESH AIR TO SPACE
3	RETURN AIR / EXHAUST AIR FROM SPACE
4	EX-HAUST AIR / EXHAUST AIR TO OUTSIDE
5	DEFROST AIR

SIZE	DWG. NO.	REV
A	70100	AD

SCALE	WEIGHT	SHEET 1 OF 2
1:20		