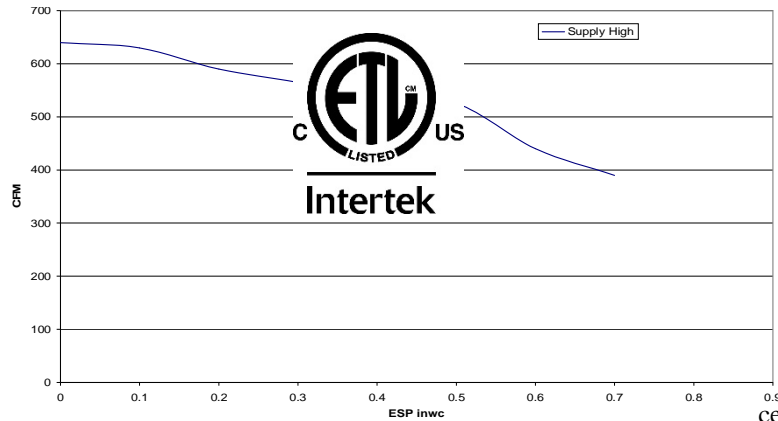


NU600 HRV PRODUCT INFORMATION SHEET



APPROVALS:

Conforms to UL Std 1812 Certified to CSA Std C22.2 No. 113, Heat exchanger core listed with AHRI 1060

CABINET .050 pre-painted white aluminum with 1” foil faced fiberglass insulation.

HEAT EXCHANGER CORE:
Polypropylene core – standard.

BLOWERS: Forward curve dual inlet centrifugal blowers.

DEFROST OPTIONS

Circulation Defrost: When outdoor temperature is below -5°C (23° F), a defrost cycle is initiated for a fixed duration. The fresh air motor will run and the exhaust air motor will shut down. A damper will shut off the cold supply port, directing ambient air through the core for defrosting. The unit will resume normal operation for a fixed duration, then the processor will read outdoor temperature and initiate defrost as necessary. Defrost times and intervals will vary according to temperature below -5°C (23° F).
NOTE: *In circulation defrost mode, this unit will not induce indoor negative pressure nor recycle exhaust air; rather it will redistribute ambient room air.*

Timed fan shut down defrost - The outside air before the core is monitored. When below freezing, a defrost cycle is activated. The supply fan shuts down while the exhaust fan continues to move warm air through the core. After a predefined temperature based time cycle, the HRV reverts to exchange mode

NU600 HRV	
AIR FLOW	535 cfm @ 0.4 in. w.c. 252 l/s @ 100 Pa
DUCT SIZE (W X H)	14 x 8 in. 356 x 203 mm
CORE SIZE (L x W x D)	17.5 x 17.5 x 21 in. 444 x 444 x 520 mm
CABINET SIZE (L x W x D)	42 x 30 x 23 in. 1067 x 762 x 584 mm
BLOWERS	RF4C
WATTS	500
VOLTS	115/230
TOTAL F.L. AMPS	4.5/2.2
RPM/SPEEDS	1275/2
WEIGHT	170 lb (77.3 kg)

ADDITIONAL FEATURES:

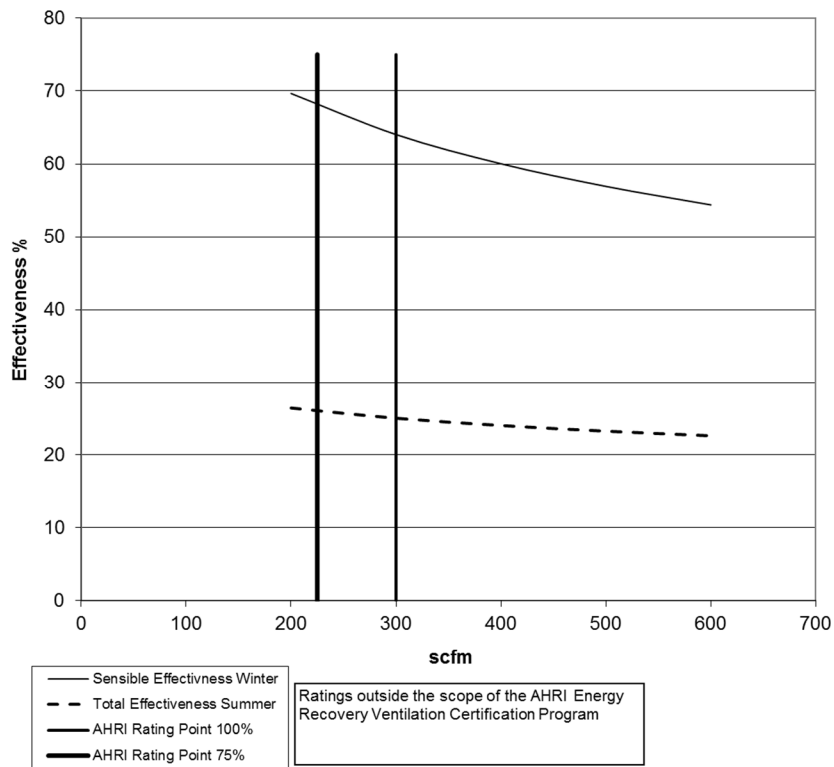
- Fan interlock options: interlocks in Hi and Lo speeds or Hi speed only.
- Intelligent defrost adjusts to outdoor conditions below -5° C (23° F)
- Independent speed adjustment of either supply or exhaust motor in BOTH high and low speed
- 24V circuit protection with self-resetting fuse
- Drain, hanger kit, MERV filter 16”x20”x1

12 VDC **AND/OR** 24 V connection for remote control with mechanical switch or the following Nu-Air controls:

12 VDC controls available	24 V controls available
Lumina digital control with dehumidistat, timer functions and filter change indicator ES-M1: Off/ Stand-by / Lo/ Hi ES-M2: Off/ Stand-by / Lo/ 20 Lo-40 Standby ES-M3: Off/ Stand-by / Lo/ 20 Lo-40 Recirculation ES-M4: Off/Stand-by/Recirculation ES-T1: 20-40-60-minute timer	Any Dry Contact Switch DSTAT-1: Humidity control Win-1: Humidity control/ OFF/ STBY/ Continuous/ Intermittent/ Full-time high speed WIN-20: 20-minute timer (up to 6)

WARRANTY: Subject to applicable consumer protection legislation Nu-Air Ventilation Systems Inc. warrants that the unit will be free from defective materials and workmanship for a period of two (2) years provided installation is in accordance with the instructions. There is a 15-year warranty on plastic cores, and a 5-year warranty for polymer enthalpy cores.

NU600 HRV Efficiency



Model no.	PC 18
Type	Plate
Nominal Air Flow (scfm)	300
Pressure drop (inches)	0.07

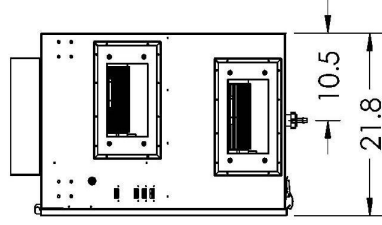
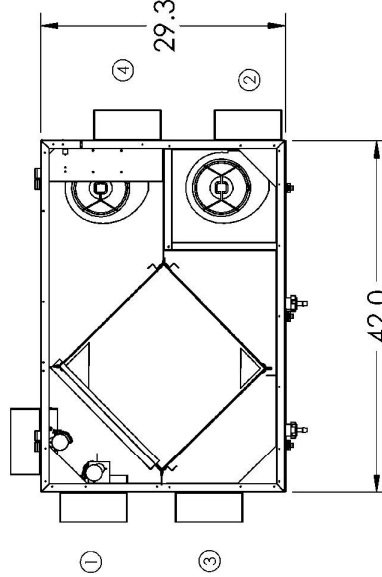
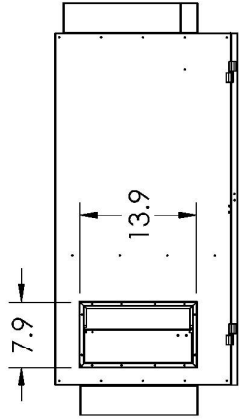
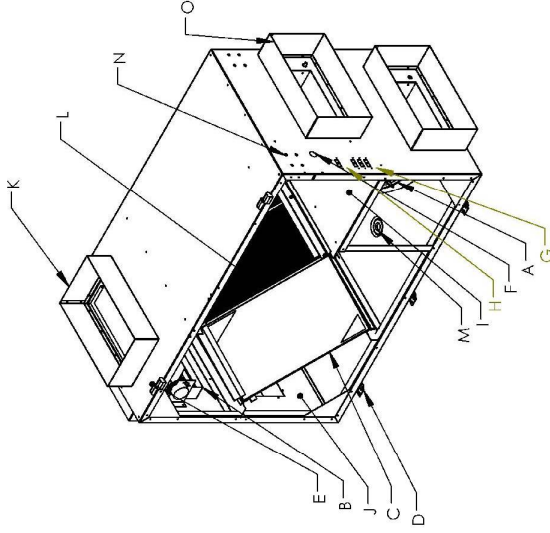


Energy recovery component is certified by AHRI to AHRI Standard 1060. Actual performance in packaged equipment may vary.

Leakage Ratings	Diff. Pressure	EATR %	OACF
Test 1	-0.5	0.00	1.00
Test 2	0	0.00	1.00
Test 3	0.5	0.00	1.00

Thermal Effectiveness Ratings at 0" Pressure Differential			
	Sensible	Latent	Total
100% air Flow Heating	63	0	39
75% air Flow Heating	65	0	43
100% air Flow cooling	67	0	24
75% air Flow Cooling	71	0	28
	Net Sensible	Net Latent	Net Total
100% air Flow Heating	63	0	39
75% air Flow Heating	65	0	43
100% air Flow cooling	67	0	24
75% air Flow Cooling	71	0	28

FEATURES	
A	FORWARD CURVE, DUAL INLET IMPELLER (2)
B	DEFROST SWITCH
C	HEAT EXCHANGER CORE - SENSIBLE OR TOTAL
D	LATCH (3)
E	HINGE (3)
F	ELECTRICAL CONNECTION - HARD WIRRED
G	CONTROL TERMINALS
H	FURNACE INTERLOCK
I	ELECTRICAL BOX
J	
K	DEFROST AIR DAMPER AND COLLAR - OPTIONAL
L	FILTERS (2)
M	5/8" DRAINS (2)
N	HANGER MOUNTS (4)
O	DUCT COLLARS 14X8



DEFROST OPTIONS:

F - FAN SHUT DOWN, EXHAUST ONLY, TEMPERATURE ACTIVATED, TIMED CYCLE. FOR MODERATE WINTER TEMPERATURES WHERE SOME NEGATIVE BUILDING PRESSURE IS ACCEPTABLE.

D - CIRCULATION DEFROST, NO EXHAUST, CIRCULATION OF ROOM AIR, TEMPERATURE ACTIVATED, TIMED CYCLE. FOR COLD WINTER TEMPERATURES AND/OR WHERE BUILDING PRESSURE MUST REMAIN NEUTRAL.

IN BOTH CASES THE TIME CYCLE IS PROPORTIONAL TO OUTSIDE AIR TEMPERATURE



NUJ0406 SHOP DWG

TITLE:

DRAWN	NAME	DATE
	---	16/03/2012

UNLESS OTHERWISE SPECIFIED:
DIMENSIONS ARE IN INCHES
TOLERANCES:
ANGULAR: BEND ±1°
TWO PLACE DECIMAL ±0.01
THREE PLACE DECIMAL ±0.001

MODEL INFORMATION:
Model Name:
NUJ600
Model Revision Level:
A/C
Drawing Revision Level:
A/A

MATERIAL
PROJECT: NUJ600
DO NOT SCALE DRAWING

PROPRIETARY AND CONFIDENTIAL
THE INFORMATION CONTAINED IN THIS DRAWING IS THE SOLE PROPERTY OF NU-AIR VENTILATION SYSTEMS INCORPORATED. ANY REPRODUCTION IN PART OR AS A WHOLE WITHOUT THE WRITTEN PERMISSION OF NU-AIR VENTILATION SYSTEMS INCORPORATED IS PROHIBITED.

PORT DESIGNATIONS	
1	OUTSIDE AIR / FRESH AIR FROM OUTSIDE
2	SUPPLY AIR / FRESH AIR TO SPACE
3	RETURN AIR / EXHAUST AIR FROM SPACE
4	EXHAUST AIR / EXHAUST AIR TO OUTSIDE
5	DEFROST AIR

SIZE	DWG. NO.	REV
A	70100	AC

SCALE: 1:20 WEIGHT: SHEET 1 OF 2