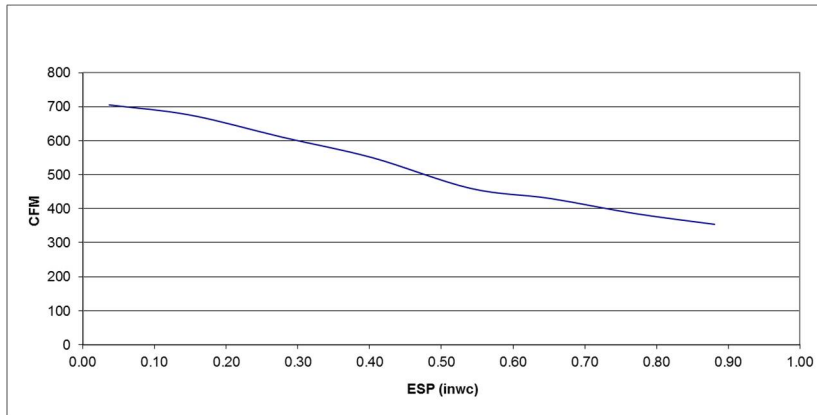


NU800 ERV PRODUCT INFORMATION SHEET



APPROVALS:

Conforms to UL Std 1812 Certified to CSA Std C22.2 No. 113,



CABINET: 22 ga. galvanized steel with 1" foil faced fiberglass insulation. .050 pre-painted white aluminum finish optional.

ENERGY RECOVERY CORE:

Polymer membrane

BLOWERS: DWDI direct-drive.

DEFROST OPTIONS

Circulation Defrost: When outdoor temperature is below -5° C (23° F), a defrost cycle is initiated for a fixed duration. The fresh air motor will run and the exhaust air motor will shut down. A damper will shut off the cold supply port, directing ambient air through the core for defrosting. The unit will resume normal operation for a fixed duration, then the processor will read outdoor temperature and initiate defrost as necessary. Defrost times and intervals will vary according to temperature below -5° C (23° F). **NOTE:** *In circulation defrost mode, this unit will not induce indoor negative pressure nor recycle exhaust air; rather it will redistribute ambient room air.*

Timed fan shut down defrost - The outside air before the core is monitored. When below freezing, a defrost cycle is activated. The supply fan shuts down while the exhaust fan continues to move warm air through the core. After a predefined temperature based time cycle the HRV reverts to exchange mode

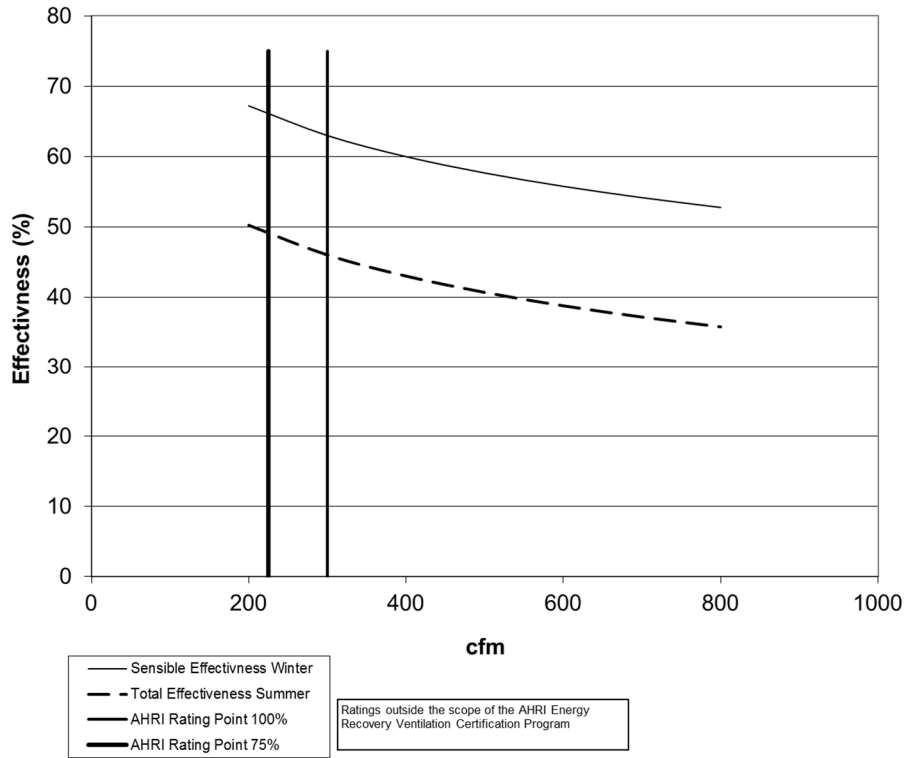
NU800 ERV	
AIR FLOW	460 cfm @ 0.5 in. w.c. 215 l/s @ 125 Pa
DUCT SIZE (W x H)	14 x 8 in. 356 x 203 mm
CORE SIZE (L x W)	17.5 x 17.5 x 21 in. 444 x 444 x 520 mm
CABINET SIZE (L x H x D)	54 x 30 x 23 in. 1372 x 762 x 659 mm
BLOWERS DWDI DD	G9DD
HORSEPOWER	1/3
PSC Motor	5 µf
VOLTS	115
TOTAL F.L. AMPS	9.8
RPM/SPEEDS	1075/2
WEIGHT	255 lb (116 kg)

ADDITIONAL FEATURES:

Fan interlock options: interlocks in Hi and Lo speeds or Hi speed only.
 Intelligent defrost adjusts to outdoor conditions below -5° C (23° F)
 24V circuit protection with self-resetting fuse
 Drain, hanger kit, MERV8 filters included 16"x20"x1

WARRANTY: Subject to applicable consumer protection legislation Nu-Air Ventilation Systems Inc. warrants that the unit will be free from defective materials and workmanship for a period of two (2) years provided installation is in accordance with the instructions. There is a 15-year warranty on plastic cores, and a 5-year warranty for polymer enthalpy cores.

NU800 ERV Efficiency



Model no.	EC-18		
Type	Plate		
Nominal Air Flow (scfm)	300		
Pressure drop (inches)	0.33		
Leakage Ratings	Diff. Pressure	EATR %	OACF
Test 1	-0.5	5	0.92
Test 2	0	0.8	1.07
Test 3	0.5	0.5	1.2
Thermal Effectiveness Ratings at 0" Pressure Differential			
	Sensible	Latent	Total
100% air Flow Heating	63	47	58
75% air Flow Heating	66	49	60
100% air Flow cooling	63	36	46
75% air Flow Cooling	66	39	49
	Net Sensible	Net Latent	Net Total
100% air Flow Heating	63	47	57
75% air Flow Heating	66	49	60
100% air Flow cooling	63	35	46
75% air Flow Cooling	66	39	49



Energy recovery component is certified by AHRI to AHRI Standard 1060. Actual performance in packaged equipment may vary.

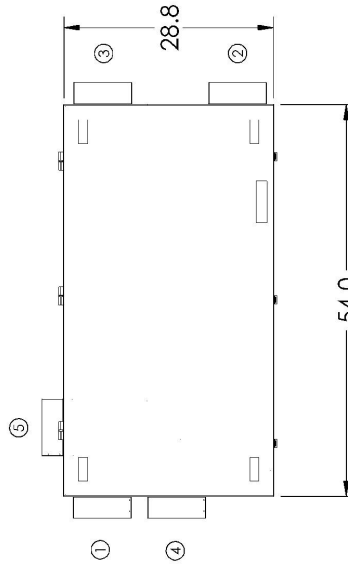
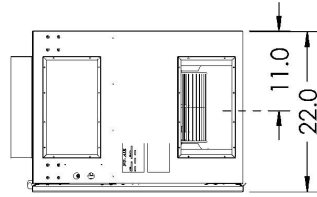
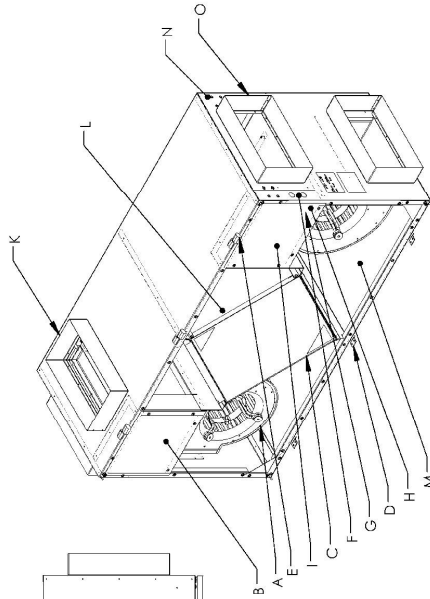
FEATURES	
A	FORWARD CURVE, DUA... INLET BLOWER [2]
B	DEFROST SWITCH
C	HEAT EXCHANGER CORE - SENSIBLE OR TOTAL
D	LATCH [3]
E	HINGE [3]
F	ELECTRICAL CONNECTION - HARD WIRED
G	CONTROL TERMINALS
H	FURNACE INTERLOCK
I	ELECTRICAL BOX
J	
K	DEFROST AIR DAMPER AND COLLAR 14X8 - OPTIONAL
L	FILTERS [2]
M	5/8" DRAINS [2]
N	HANGER JOINTS [4]
O	DUCT COLLARS 14X8

DEFROST OPTIONS:

F - FAN SHUT DOWN, EXHAUST ONLY, TEMPERATURE ACTIVATED, TIMED CYCLE. FOR MODERATE WINTER TEMPERATURES WHERE SOME NEGATIVE BUILDING PRESSURE IS ACCEPTABLE.

D - CIRCULATION DEFROST, NO EXHAUST, CIRCULATION OF ROOM AIR, TEMPERATURE ACTIVATED, TIMED CYCLE. FOR COLD WINTER TEMPERATURES AND/OR WHERE BUILDING PRESSURE MUST REMAIN NEUTRAL.

IN BOTH CASES THE TIME CYCLE IS PROPORTIONAL TO OUTSIDE AIR TEMPERATURE



PORT DESIGNATIONS	
1	OUTSIDE AIR / FRESH AIR FROM OUTSIDE
2	SUPPLY AIR / FRESH AIR TO SPACE
3	RETURN AIR / EXHAUST AIR FROM SPACE
4	EXHAUST AIR / EXHAUST AIR TO OUTSIDE
5	DEFROST AIR

PROPRIETARY AND CONFIDENTIAL
THE INFORMATION CONTAINED IN THIS DRAWING IS THE PROPERTY OF NU-AIR. ANY REPRODUCTION IN PART OR AS A WHOLE WITHOUT THE WRITTEN PERMISSION OF NU-AIR VENTILATION SYSTEMS INCORPORATED IS PROHIBITED.

UNLESS OTHERWISE SPECIFIED:
DIMENSIONS ARE IN INCHES
TOLERANCES:
ANGULAR: BEND ±1°
TWO PLACE DECIMAL ±0.01
THREE PLACE DECIMAL ±0.001

DRAWN	NAME	DATE
	---	19/03/2012

MODEL INFORMATION:
Model Name: NU 1200 - Damper - Galvanized
Model Revision Level: AC
Drawing Revision Level: AC

PROJECT: NU800& 1200
DO NOT SCALE DRAWING



NUJ0508 SHOP DWG

TITLE:	
SIZE	DWG. NO.
A	70500
SCALE: 1:20	WEIGHT:
SHEET 1 OF 1	