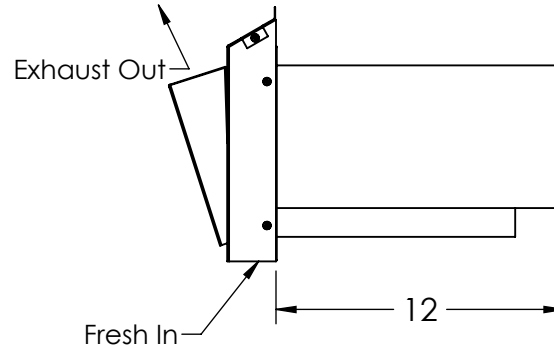
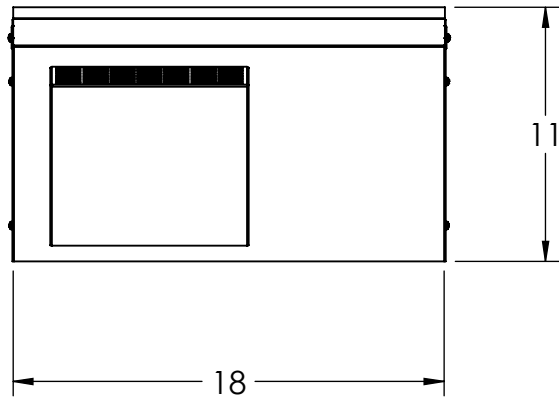
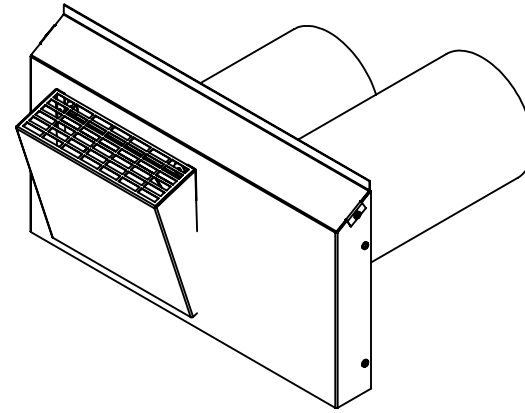
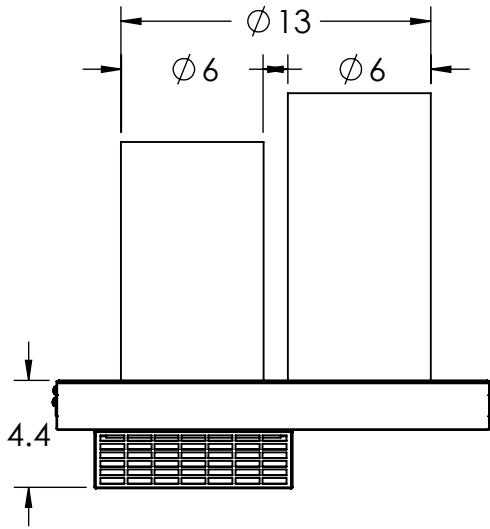


The Nu-Air THA6 is a factory engineered single penetration vent terminal that may be used when sufficient separation of supply and exhaust air cannot be maintained.



PROPRIETARY AND CONFIDENTIAL  
 THE INFORMATION CONTAINED IN THIS DRAWING IS THE SOLE PROPERTY OF NU-AIR VENTILATION SYSTEMS INCORPORATED. ANY REPRODUCTION IN PART OR AS A WHOLE WITHOUT THE WRITTEN PERMISSION OF NU-AIR VENTILATION SYSTEMS INCORPORATED IS PROHIBITED.

UNLESS OTHERWISE SPECIFIED:  
 DIMENSIONS ARE IN INCHES  
 TOLERANCES:  
 ANGULAR: BEND ±2°  
 TWO PLACE DECIMAL ±0.01  
 THREE PLACE DECIMAL ±0.005

MATERIAL  
 PROJECT: Hoods  
 DO NOT SCALE DRAWING

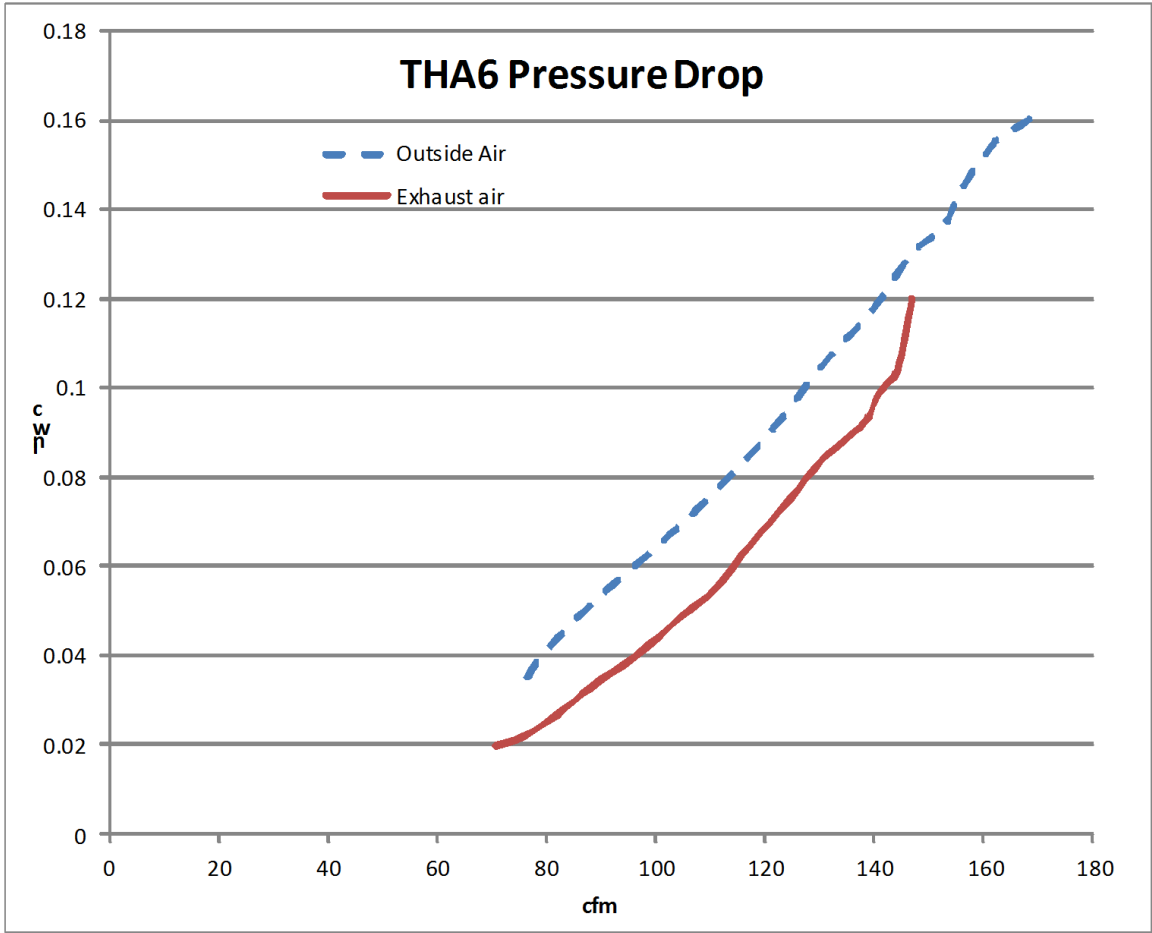
	NAME	DATE
DRAWN	---	29/08/2016

MODEL INFORMATION:  
 Model Name: tandem hood 6 inch  
 Model Revision Level: AA  
 Drawing Revision Level: ---



TITLE:		
SIZE <b>A</b>	DWG. NO. tandem hood 6 inch	REV AA
SCALE: 1:8	WEIGHT:	SHEET 1 OF 2

The THA6 achieved less than 10% re-intrainment of exhaust air in factory tests. To ensure airstream separation, higher exhaust air terminal velocities are used. This results in higher than normal pressure drop. Refer to the curves below when designing the air distribution system.



**Installation Instruction:**

Determine the location of the hood considering all building codes and best practices.

Cut an opening in the wall large enough to accept the insulated ducting. E.g. 14x8.

The outer hood cover can be removed to use screws to secure the back plate to the siding if appropriate.

Apply caulking to the back plate of the hood and attach to a flat exterior surface.

Caulk and spray foam the hood from the inside.

Increase the duct size, as needed at the terminal.

Insulate both ducts up to the terminal and secure with sheathing tape.



PROPRIETARY AND CONFIDENTIAL  
 THE INFORMATION CONTAINED IN THIS DRAWING IS THE SOLE PROPERTY OF NU-AIR VENTILATION SYSTEMS INCORPORATED. ANY REPRODUCTION IN PART OR AS A WHOLE WITHOUT THE WRITTEN PERMISSION OF NU-AIR VENTILATION SYSTEMS INCORPORATED IS PROHIBITED.

UNLESS OTHERWISE SPECIFIED:  
 DIMENSIONS ARE IN INCHES  
 TOLERANCES:  
 ANGULAR: BEND ±2°  
 TWO PLACE DECIMAL ±0.01  
 THREE PLACE DECIMAL ±0.005

MATERIAL  
 PROJECT:  
 DO NOT SCALE DRAWING

	NAME	DATE
DRAWN	---	29/08/2016

MODEL INFORMATION:  
 Model Name:  
 Model Revision Level:  
 Drawing Revision Level:  
 ---

TITLE:		
SIZE	DWG. NO.	REV
<b>A</b>		
SCALE: 1:12	WEIGHT:	SHEET 2 OF 2